



Trainer™

Safety Guide & Building Instructions



PS 73121



PS 73122



PS 73123



PS 73124



We're Here To Help!

Call Toll Free **1-888-752-9782**
Customer Service: Monday - Friday, 8:00 A.M. to 5:00 P.M. C.S.T.

SAFETY

- This product is intended for single-family residential use only, by children ages two to ten and a maximum weight of 105 pounds. Any recommendation over 10 years of age or 105 pounds exceeds the upper limits specified in the American Society for Testing and Materials (ASTM) Home Playground Safety Standard. In order for PlayStar to comply with the ASTM Standard, we cannot recommend anyone above these limits.
- It is a misuse of this product when installed or used in places of public assembly such as schools or parks.
- Follow the instructions provided, do not alter its design in any way.
- Construction requires at least two adults capable of heavy lifting.
- Thoroughly read all safety instructions before beginning.
- Children must remain clear of construction site until this product is properly installed and ready for use.
- Save these instructions in the event the manufacturer has to be contacted.

The Consumer Product Safety Commission provides the following consumer information for your Home Playground Equipment

Select Protective Surfacing

One of the most important things you can do to reduce the likelihood of serious head injuries is to install shock-absorbing protective surfacing under and around your play equipment. The protective surfacing should be applied to a depth that is suitable for the equipment height in accordance with ASTM F1292. There are different types of surfacing to choose from; whichever product you select, follow these guidelines:

NOTE: Do not install home playground equipment over concrete, asphalt, packed earth, grass, carpet or any other hard surface. A fall onto a hard surface can result in serious injury or death to the equipment user. Grass and dirt are not considered protective surfacing because wear and environmental factors can reduce their shock absorbing effectiveness. Carpeting and thin mats are generally not adequate protective surfacing. Ground level equipment -- such as a sandbox, activity wall, playhouse or other equipment that has no elevated play surface -- does not need any protective surfacing.

Loose-Fill Materials

PlayStar Playsets require fall-height protection from eight feet.

- Maintain a minimum depth of 9 inches of loose-fill materials such as wood mulch / chips, engineered wood fiber (EWF), or shredded/recycled rubber mulch for

equipment up to 8 feet high. NOTE: An initial fill level of 12 inches will compress to about a 9-inch depth of surfacing over time. The surfacing will also compact, displace, and settle, and should be periodically refilled to maintain at least a 9-inch depth.

- Use containment, such as digging out around the perimeter and/or lining the perimeter with landscape edging. Don't forget to account for water drainage.
- Check and maintain the depth of the loose-fill surfacing material. To maintain the right amount of loose-fill materials, mark the correct level on play equipment support posts. That way you can easily see when to replenish and/or redistribute the surfacing.
- **Do not** install loose fill surfacing over hard surfaces such as concrete or asphalt.

Poured-In-Place Surfaces or Pre-Manufactured Rubber Tiles

You may be interested in using surfacing other than loose-fill materials -- like rubber tiles or poured-in-place surfaces.

- Installations of these surfaces generally require a professional and are not "do-it-yourself" projects.
- Review surface specifications before purchasing this type of surfacing. Ask the installer/manufacturer for a report showing that the product has been tested to the following safety standard: ASTM F1292 *Standard Specification for Impact Attenuation of Surfacing Materials within the Use Zone of Playground Equipment*. This report should show the specific height for which the surface is intended to protect against serious head injury.

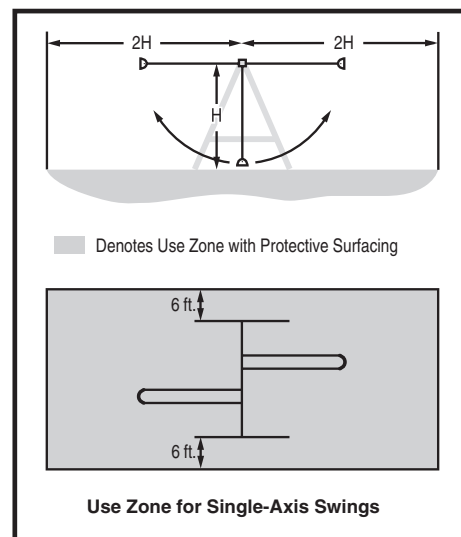
This height should be equal to or greater than the *fall height* - vertical distance between a designated play surface (*elevated surface for standing, sitting, or climbing*) and the protective surfacing below - of your play equipment.

- Check the protective surfacing frequently for wear.

Placement

Proper placement and maintenance of protective surfacing is essential. Be sure to;

- Extend surfacing at least 6 feet from the equipment in all directions.
- For to-fro swings, extend protective surfacing in front of and behind the swing to a distance equal to twice the height of the top bar from which the swing is suspended.



SAFETY

INSTALLATION:

1. Follow the instructions provided, do not alter its design in any way.
2. Place the equipment on level ground, not less than 6' (1.8m) from any structure or obstruction such as a fence, garage, house, overhanging branches, laundry lines or electrical wires. If the area where you will be installing your playset is not level, you must make it level.
3. Playsets must be anchored to the ground. Follow the anchoring instructions provided with your building kit. If soil conditions permit anchors to be pulled out easily, such as in sandy soil conditions, cementing is required.
4. Tighten all bolts securely to the intended member then cut off all protruding threaded ends of bolts with a hack saw **flush to the end of the nut** and remove sharp edges with a metal file.

WARNING: Children must not use the playset until properly installed and proper shock-absorbing surfacing material is in place.

OPERATION: Observing and following statements and warnings reduces the likelihood of serious or fatal injury.

1. On-site adult supervision is recommended for children of all ages.
2. Only one child, for each single planned

seat or single planned activity should be allowed on this set at one time, with a maximum weight of **105 pounds** for each child.

WARNING: You must teach children the following:

- A. **Not** to walk close to, in front of, behind, or between moving items.
 - B. **Not** to twist swing chains or ropes or loop them over the top support bar since this may reduce the strength of the chain or rope.
 - C. **Avoid** swinging empty seats.
 - D. **To Sit** in the center of the swings with their full weight on the seats.
 - E. **Not** to use the equipment in a manner other than intended.
 - F. **Not** to get off equipment while it is in motion.
 - G. **Not** to climb when equipment is wet.
 - H. **Not** to attach items to the playground equipment that are not specifically designed for use with the equipment such as, but not limited to, jump ropes, clothesline, pet leashes, cables and chain as they may cause a strangulation hazard.
- I. **Remove** bike or other sports helmet before playing on the playground equipment.
3. Verify that suspended climbing ropes are secured at both ends and that they cannot be looped back on themselves.
 4. Never add extra length to chain or rope.

The chains or ropes provided are the maximum length designed for the swinging element(s).

5. Dress children appropriately and do not allow them to wear inappropriate items, such as but not limited to, loose fitting clothing, hood and neck draw strings, scarves, cord-connected items, capes, and ponchos. These items can cause death by strangulation. Provide well-fitting and full enclosure footwear. Examples of inappropriate footwear are clogs, flip flops, and sandals.
6. Verify that all suspended swinging components have at least 8" clearance between the lowest point of component and top of shock-absorbing surfacing material.

WARNING: Lawn swings are designed for use by children two years of age and older. Use by children under the age of two can result in entrapment between the seat and backrest. **NEVER** place children in a rearward facing position or with legs between the seat and backrest because the child's body may pass through the opening causing entrapment of the child's head.

DISPOSAL:

When the playset is to be retired from service, disassemble and dispose of in such a way that no unreasonable hazards will exist. Follow your local disposal requirements.



ANNUAL MAINTENANCE CHECKLIST

(Copy this section as needed and maintain for your records or visit www.playstarinc.com/maintenance)

At the beginning of play season: Date: _____

- Tighten all hardware.
- Lubricate all metallic moving parts per manufacturer's instructions.
- Check all protective coverings on bolts, pipes, edges, and corners. Replace if they are loose, cracked, or missing.
- Check all moving parts including swing seats, ropes, cables, and chains for wear, rust, or other deterioration. Replace as needed.
- Check metal parts for rust. If found, sand and repaint using a non lead-based paint meeting the requirements of 16 CRF 1303.
- Check all wood members for deterioration and splinters. Sand down splinters and replace deteriorating wood members.
- Reinstall any plastic parts, such as swing seats or any other items that were removed for the cold season.
- Rake and check depth of loose fill protective surfacing materials to prevent compaction and to maintain appropriate depth. Replace as necessary.

Twice a month during play season: Date: _____

- Tighten all hardware.
- Check all protective coverings on bolts, pipes, edges, and corners. Replace if they are loose, cracked, or missing.
- Rake and check depth of loose fill protective surfacing materials to prevent compaction and to maintain appropriate depth. Replace as necessary.

Once a month during play season: Date: _____

- Lubricate all metallic moving parts per manufacturer's instructions.
- Check all moving parts including swing seats, ropes, cables, and chains for wear, rust, or other deterioration. Replace as needed.

At the end of each play season or when the temperature drops below 0° F: Date: _____

- Remove plastic swing seats and other items as specified by the manufacturer and take indoors or do not use.
- Rake and check depth of loose fill protective surfacing materials to prevent compaction and to maintain appropriate depth. Replace as necessary.

Owner shall be responsible for maintaining the legibility of any warning labels. If any of these conditions exist, call 1-888-752-9782 for ordering information.
Clean plastic components with warm water and a mild detergent such as dish soap.

TOOLS REQUIRED

Socket Wrench
 7/16", 1/2" & 9/16" Socket
 1/2" & 9/16" Wrench or Adjust. Wrench
 Ladder
 Tape Measure
 Safety Glasses

Drill
 Saw Horses (Optional)
 Square
 Phillips Screwdriver
 Hammer
 1/8", 1/4" & 3/8" Drill Bit

Hack Saw
 Metal File
 Pencil
 Tape

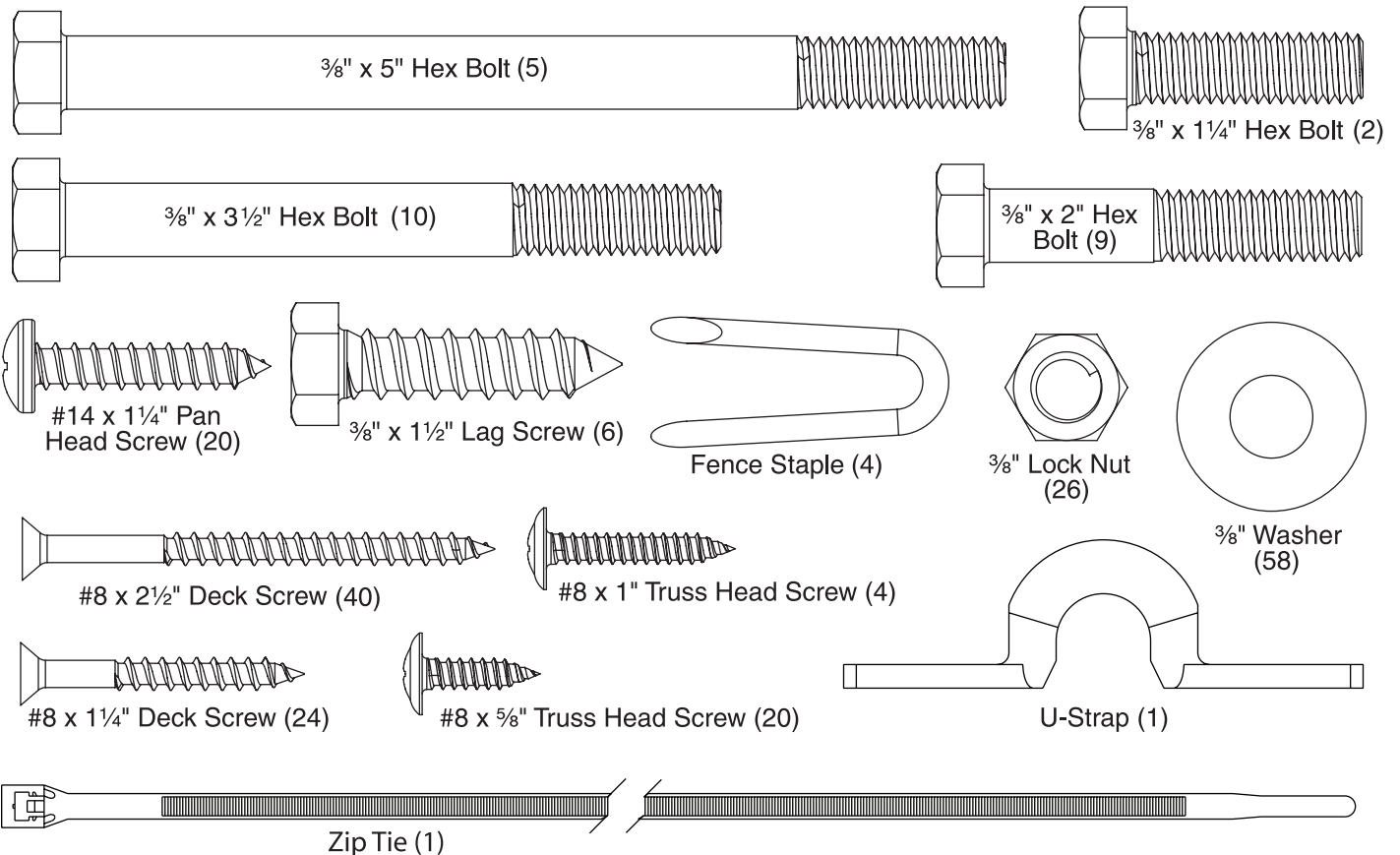
PURCHASE SEPARATELY

Exterior Paint
 Exterior Stain
 Permanent/Fabric Markers

Chalk
 Floral Arrangements
 Magnets

HARDWARE INCLUDED (shown actual size)

Depending on Design Options, some hardware may not be used.



CONTENTS - Gold Design Option



Contents:

- 1 **Tower - With:**
 - 2 Play Handles
 - 1 Sand Box Seat
- 1 **Roof Assembly -**
(6 Boards Each Side)
- 1 **Panel Assembly**
- 3 **Laminated Legs**
- 1 **Swing Beam (8' Right)**
- 1 **Rock Wall 5ft (4 Rocks)**

- 1 **2" X 4" X 60" board**

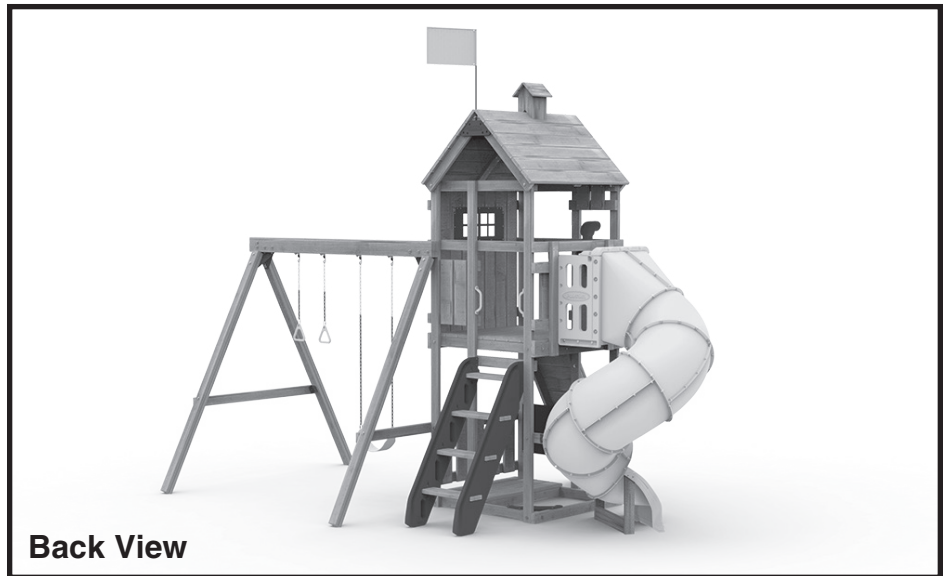
- 1 **Tube Slide w/Pre-assembled base**
- 1 **Climbing Steps Assembly**

- 1 **Decorative Kit Box - Includes:**
 - 1 Dormer
 - 1 Cupola
 - 1 Flag
 - 1 Flag Pole
 - 1 Sunlight Window
 - 1 Stencil Kit
 - 1 Flower Box
 - 1 Design-a-Plaque
 - 1 Magnetic Chalkboard
 - 1 Decorative Hardware Bag

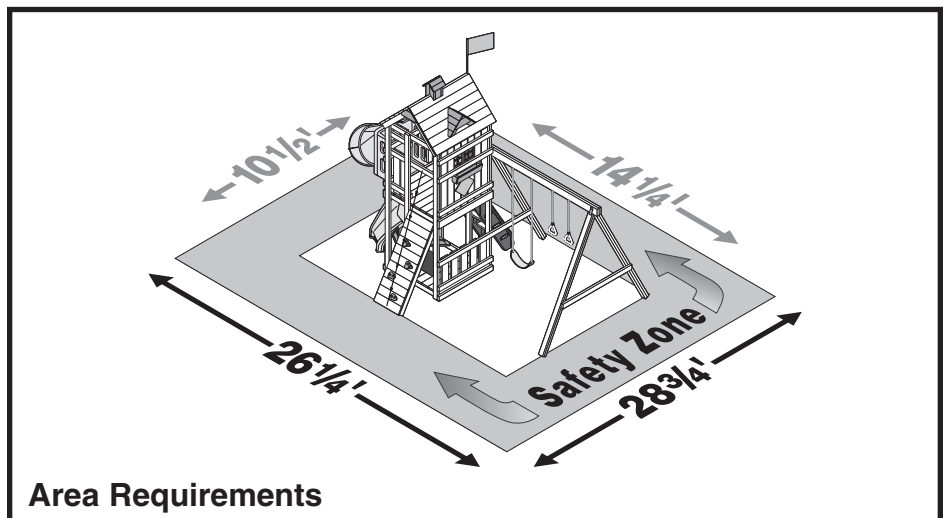
- 1 **Component Box - Includes:**
 - 1 Swing Assembly (Yellow)
 - 2 Gym Ring Assemblies (Yellow)
 - 1 MegaScope
 - 1 Twisted Rope
 - 6 Anchor Augers
 - 1 Sturdy-Frame Brace
 - 6 Corner Brackets
 - 1 Trainer Hardware Bag
 - 1 Trainer F-B Instructions



Front View



Back View



Area Requirements

ROOF ASSEMBLY - GOLD

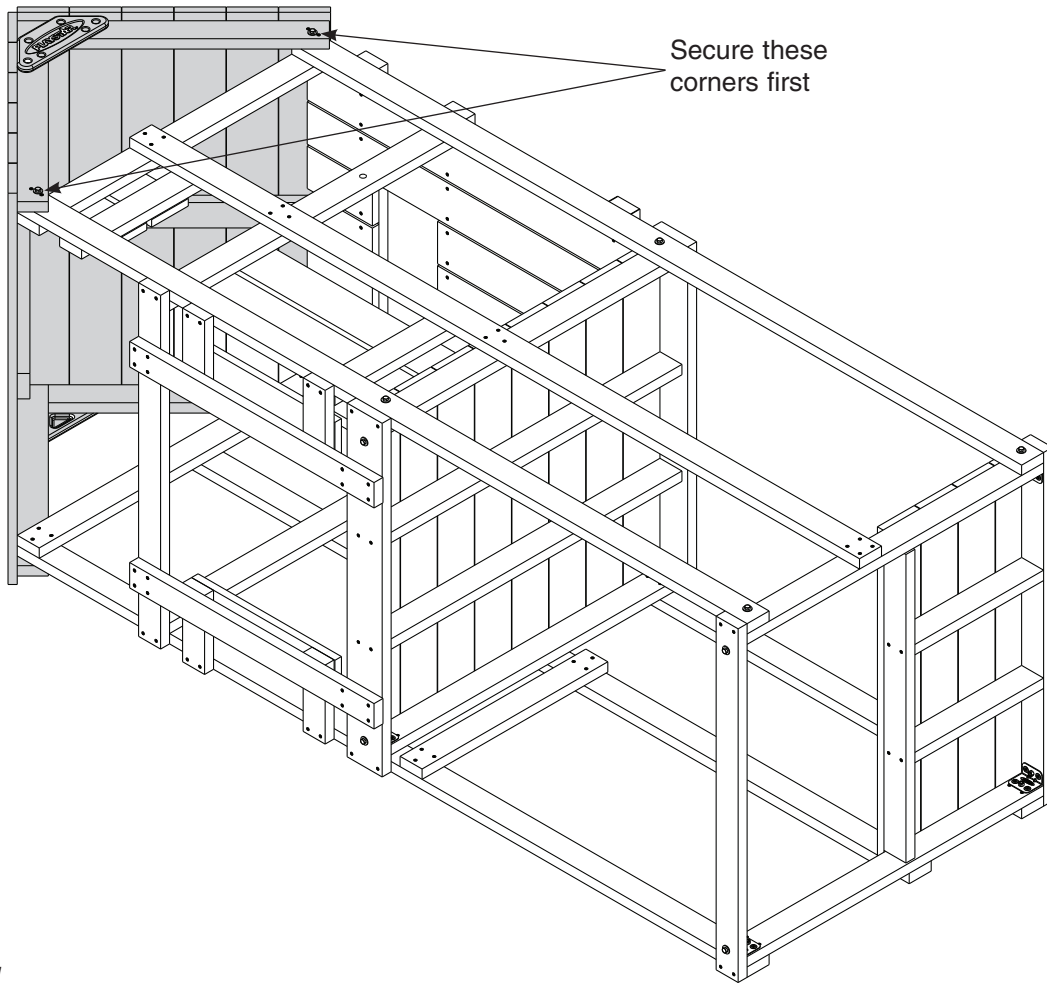
STOP

*It is easier to install the Cupola, Dormer, and Flag now.
Follow the instructions on pages 33-37.*

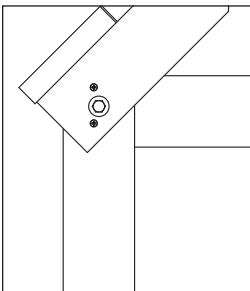
Items for **STEP 1:**

- (1) Roof Assembly
- (2) $\frac{3}{8}$ " x 5" hex bolts
- (4) $\frac{3}{8}$ " washers
- (2) $\frac{3}{8}$ " lock nuts
- (4) #8 x 2 $\frac{1}{2}$ " deck screws

Position roof assembly so both sides of roof overhang 2" x 4" boards equally. Secure top corners with two #8 x 2 $\frac{1}{2}$ " deck screws, $\frac{3}{8}$ " x 5" hex bolt, $\frac{3}{8}$ " washers and $\frac{3}{8}$ " lock nuts.



*Bolt & Screw
Placement Detail*



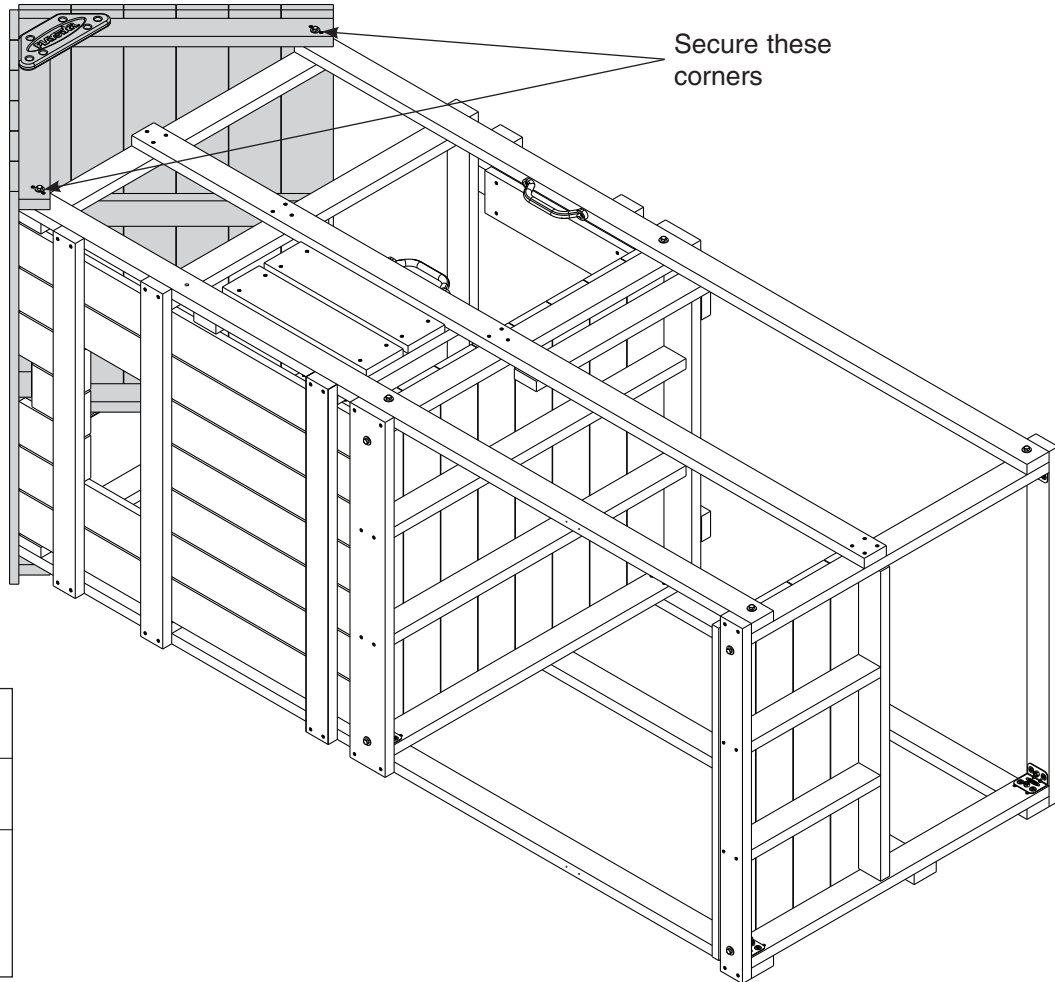
*Predrill –
1/8" Dia. for #8 x 2 $\frac{1}{2}$ " deck screws
3/8" Dia. for 3/8" x 5" hex bolts*

Items for STEP 2:

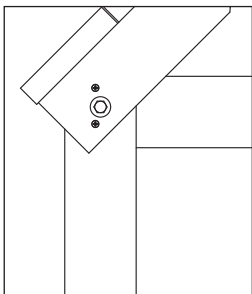
- (2) 3/8" x 5" hex bolts
- (4) 3/8" washers
- (2) 3/8" lock nuts
- (4) #8 x 2 1/2" deck screws

Rotate tower 180° as shown. Verify the unattached side of the roof overhangs the 2" x 4" boards equally. Secure the other two corners with #8 x 2 1/2" deck screws, 3/8" x 5" hex bolt, 3/8" washers and 3/8" lock nuts.

Lift tower assembly upright and position in desired location.



Bolt & Screw Placement Detail

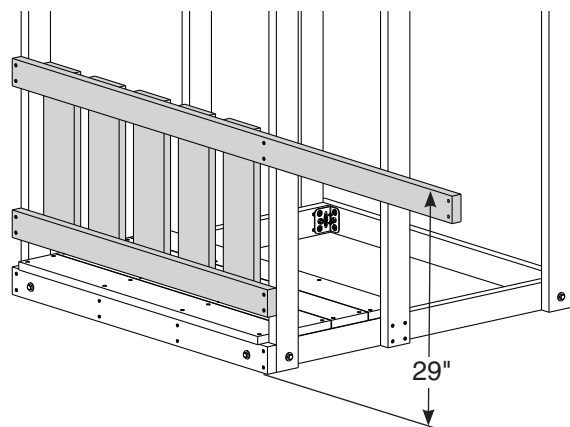


*Predrill –
1/8" Dia. for #8 x 2 1/2" deck screws
3/8" Dia. for 3/8" x 5" hex bolts*

Items for STEP 3:

- (1) Panel Assembly
- (8) #8 x 2 1/2" deck screws

Position panel assembly as shown. Secure with #8 x 2 1/2" deck screws.



Items for STEP 4:

- (1) Rock Wall
- (2) Corner Brackets
- (4) $\frac{3}{8}$ " x 2" hex bolts
- (8) $\frac{3}{8}$ " washers
- (4) $\frac{3}{8}$ " lock nuts
- (8) #8 x $1\frac{1}{4}$ " deck screws
- (4) #8 x $2\frac{1}{2}$ " deck screws

Attach corner brackets.

Position brackets $48\frac{1}{2}$ " up from bottom of tower with the long side of the brackets against the 2" x 4" x 112" boards and the short side flush with the inside edges as shown. **(Fig. 1)**

Use brackets as a drill guide and drill $\frac{1}{8}$ " holes 1" deep into the boards. Attach with #8 x $1\frac{1}{4}$ " deck screws.

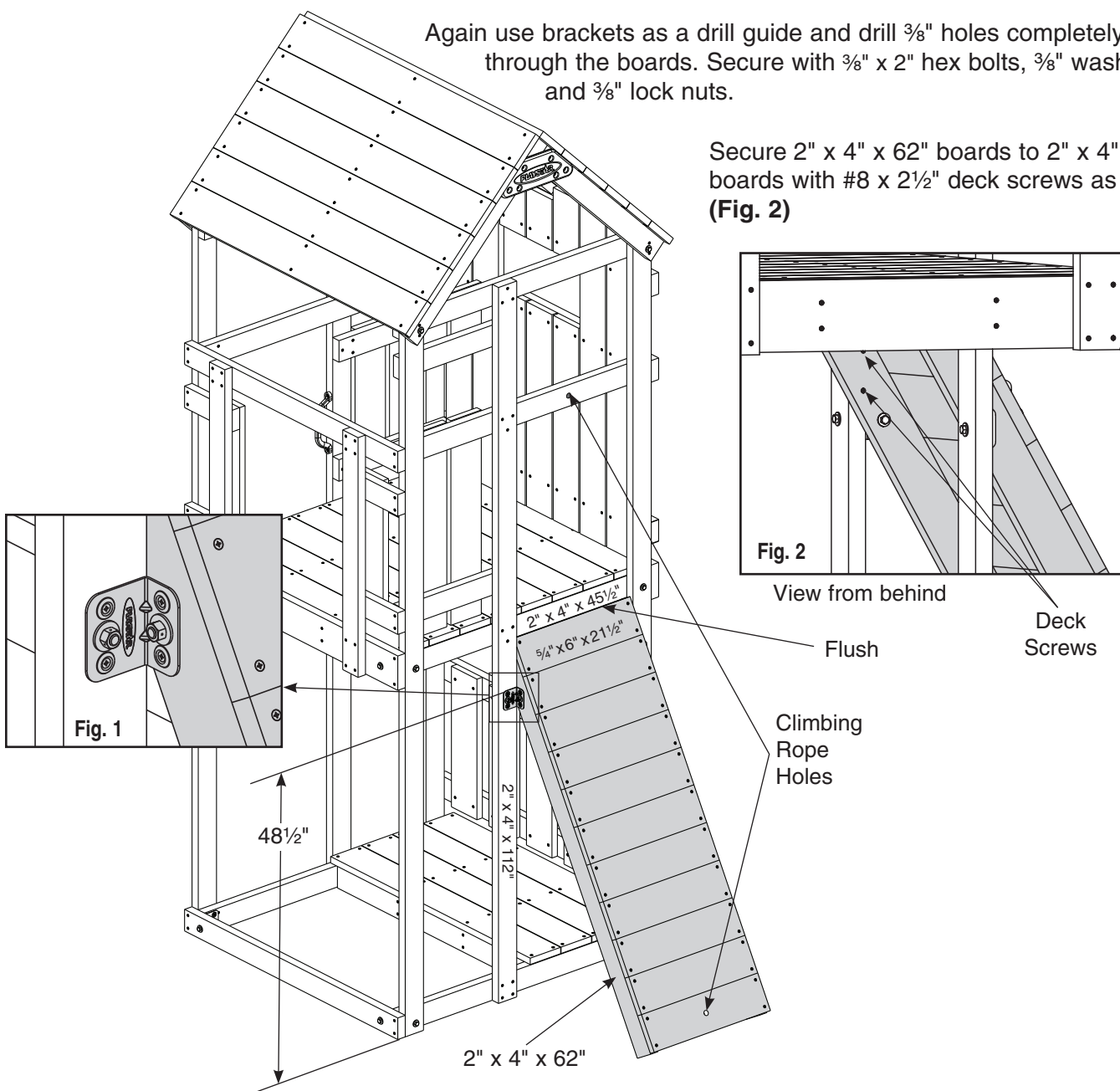
Again use brackets as a drill guide and drill $\frac{3}{8}$ " holes completely through the boards. Secure with $\frac{3}{8}$ " x 2" hex bolts, $\frac{3}{8}$ " washers and $\frac{3}{8}$ " lock nuts.

Attach rock wall to corner brackets as shown. Bottom corner of 2" x 4" x 62" board must rest on the ground and back edge of $\frac{5}{4}$ " x 6" x $21\frac{1}{2}$ " must be flush with the front of the 2" x 4" x $45\frac{1}{2}$ " board.

Use brackets as a drill guide and drill $\frac{1}{8}$ " holes 1" deep into the boards. Attach with #8 x $1\frac{1}{4}$ " deck screws.

Again use brackets as a drill guide and drill $\frac{3}{8}$ " holes completely through the boards. Secure with $\frac{3}{8}$ " x 2" hex bolts, $\frac{3}{8}$ " washers and $\frac{3}{8}$ " lock nuts.

Secure 2" x 4" x 62" boards to 2" x 4" x 112" boards with #8 x $2\frac{1}{2}$ " deck screws as shown. **(Fig. 2)**



CONTENTS - Silver Design Option



Contents:

- 1 Tower - With:
 - 2 Play Handles
 - 1 Sand Box Seat
- 1 Roof Assembly -
(6 Boards Each Side)
- 3 Laminated Legs
- 1 Swing Beam (8' Right)
- 1 Rock Wall 4ft (4 Rocks)

- 1 2" X 4" X 81" Board
- 1 2" X 4" X 60" board

- 1 Scoop Slide
- 1 Climbing Wall

- 1 Decorative Kit Box - Includes:
 - 1 Dormer
 - 1 Cupola
 - 1 Flag
 - 1 Flag Pole
 - 1 Sunlight Window
 - 1 Stencil Kit
 - 1 Flower Box
 - 1 Design-a-Plaque
 - 1 Magnetic Chalkboard
 - 1 Decorative Hardware Bag

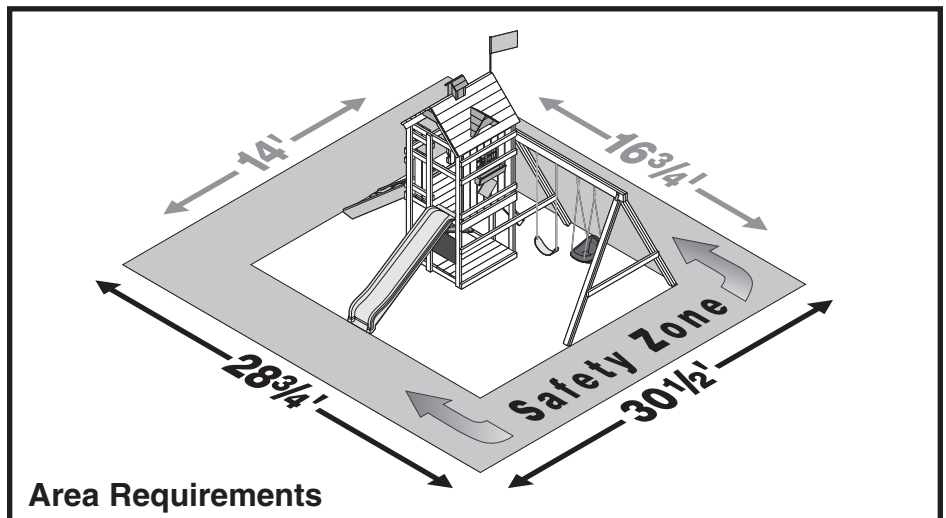
- 1 Component Box - Includes:
 - 1 Swing Assembly (Yellow)
 - 1 Toddler Swing
 - 2 Gym Ring Assemblies (Yellow)
 - 1 Twisted Rope
 - 8 Anchor Augers
 - 1 Sturdy-Frame Brace
 - 6 Corner Brackets
 - 1 Trainer Hardware Bag
 - 1 Trainer F-B Instructions



Front View



Back View



Area Requirements

ROOF ASSEMBLY - SILVER

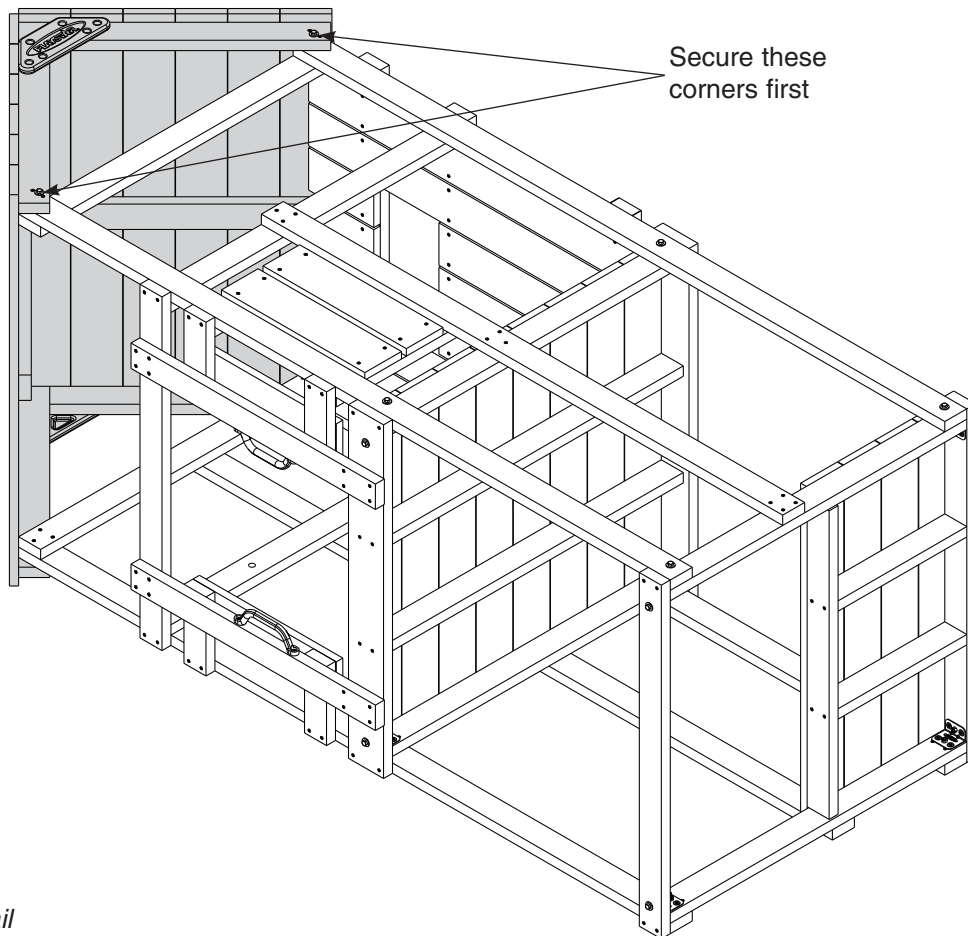
STOP

It is easier to install the Cupola, Dormer, and Flag now.
Follow the instructions on pages 33-37.

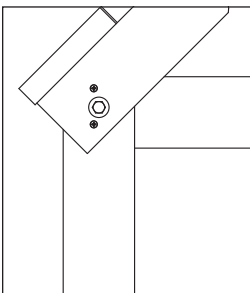
Items for **STEP 1**:

- (1) Roof Assembly
- (2) $\frac{3}{8}$ " x 5" hex bolts
- (4) $\frac{3}{8}$ " washers
- (2) $\frac{3}{8}$ " lock nuts
- (4) #8 x 2 $\frac{1}{2}$ " deck screws

Position roof assembly so both sides of roof overhang 2" x 4" boards equally. Secure top corners with two #8 x 2 $\frac{1}{2}$ " deck screws, $\frac{3}{8}$ " x 5" hex bolt, $\frac{3}{8}$ " washers and $\frac{3}{8}$ " lock nuts.



*Bolt & Screw
Placement Detail*



*Predrill –
 $\frac{1}{8}$ " Dia. for #8 x 2 $\frac{1}{2}$ " deck screws
 $\frac{3}{8}$ " Dia. for $\frac{3}{8}$ " x 5" hex bolts*

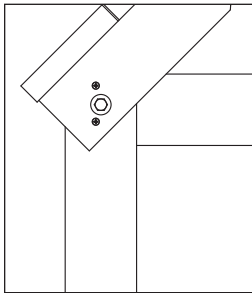
Items for STEP 2:

- (2) 3/8" x 5" hex bolts
- (4) 3/8" washers
- (2) 3/8" lock nuts
- (4) #8 x 2 1/2" deck screws

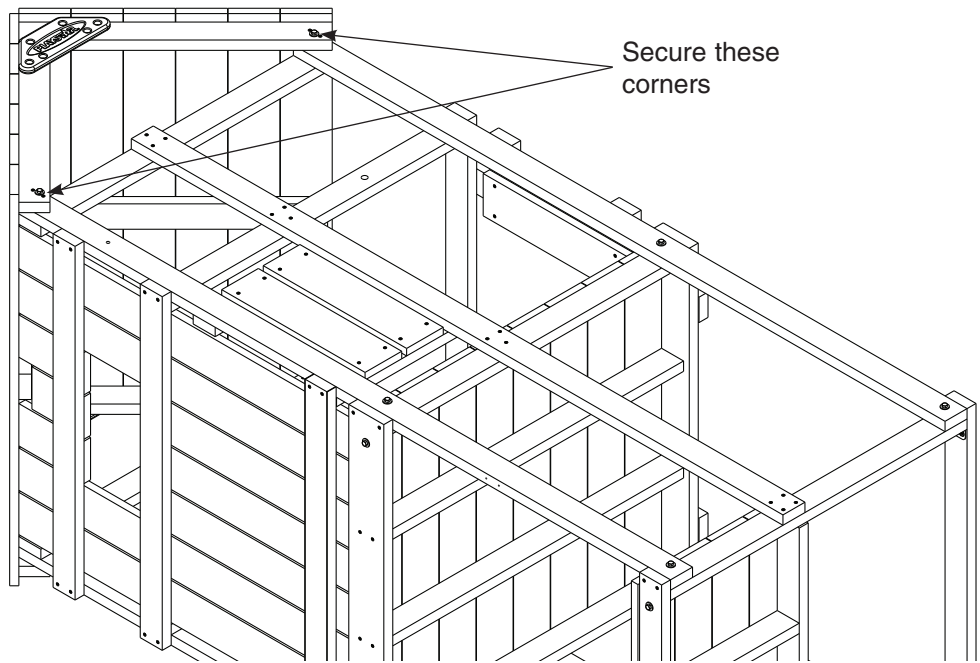
Rotate tower 180° as shown. Verify the unattached side of the roof overhangs the 2" x 4" boards equally. Secure the other two corners with #8 x 2 1/2" deck screws, 3/8" x 5" hex bolt, 3/8" washers and 3/8" lock nuts.

Lift tower assembly upright and position in desired location.

Bolt & Screw Placement Detail



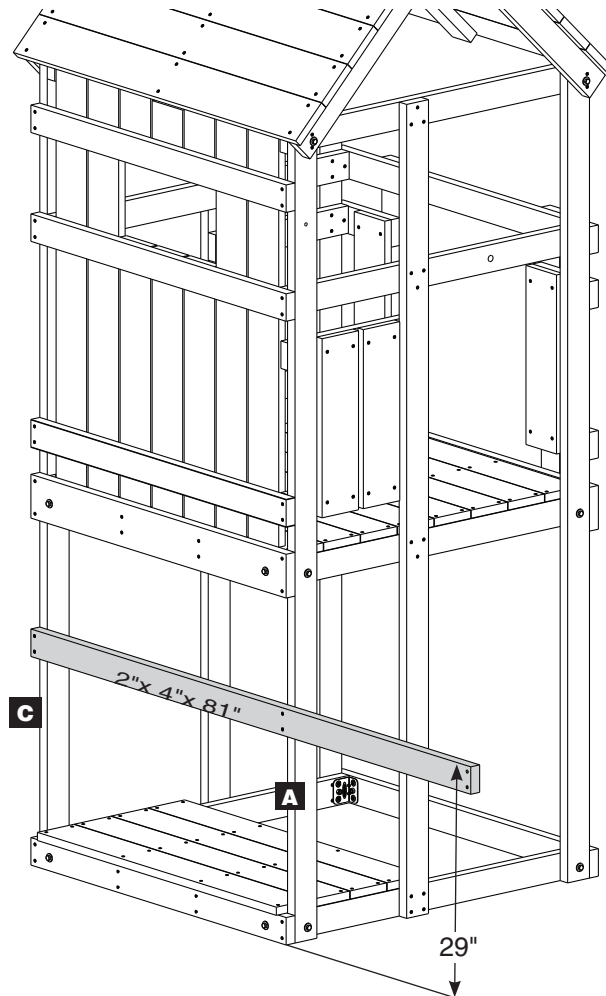
Predrill –
1/8" Dia. for #8 x 2 1/2" deck screws
3/8" Dia. for 3/8" x 5" hex bolts



Items for STEP 3:

- (1) 2" x 4" x 81" board
- (4) #8 x 2 1/2" deck screws

Position board at dimension shown. Secure with #8 x 2 1/2" deck screws.



Items for STEP 4:

- (1) Rock Wall
- (2) Corner Brackets
- (4) $\frac{3}{8}$ " x 2" hex bolts
- (8) $\frac{3}{8}$ " washers
- (4) $\frac{3}{8}$ " lock nuts
- (8) #8 x $1\frac{1}{4}$ " deck screws
- (4) #8 x $2\frac{1}{2}$ " deck screws

Attach corner brackets.

Position brackets 39" up from bottom of tower with the long side of the brackets against the 2" x 4" x 100" boards and the short side flush with the inside edges as shown. **(Fig. 1)**

Use brackets as a drill guide and drill $\frac{1}{8}$ " holes 1" deep into the boards. Attach with #8 x $1\frac{1}{4}$ " deck screws.

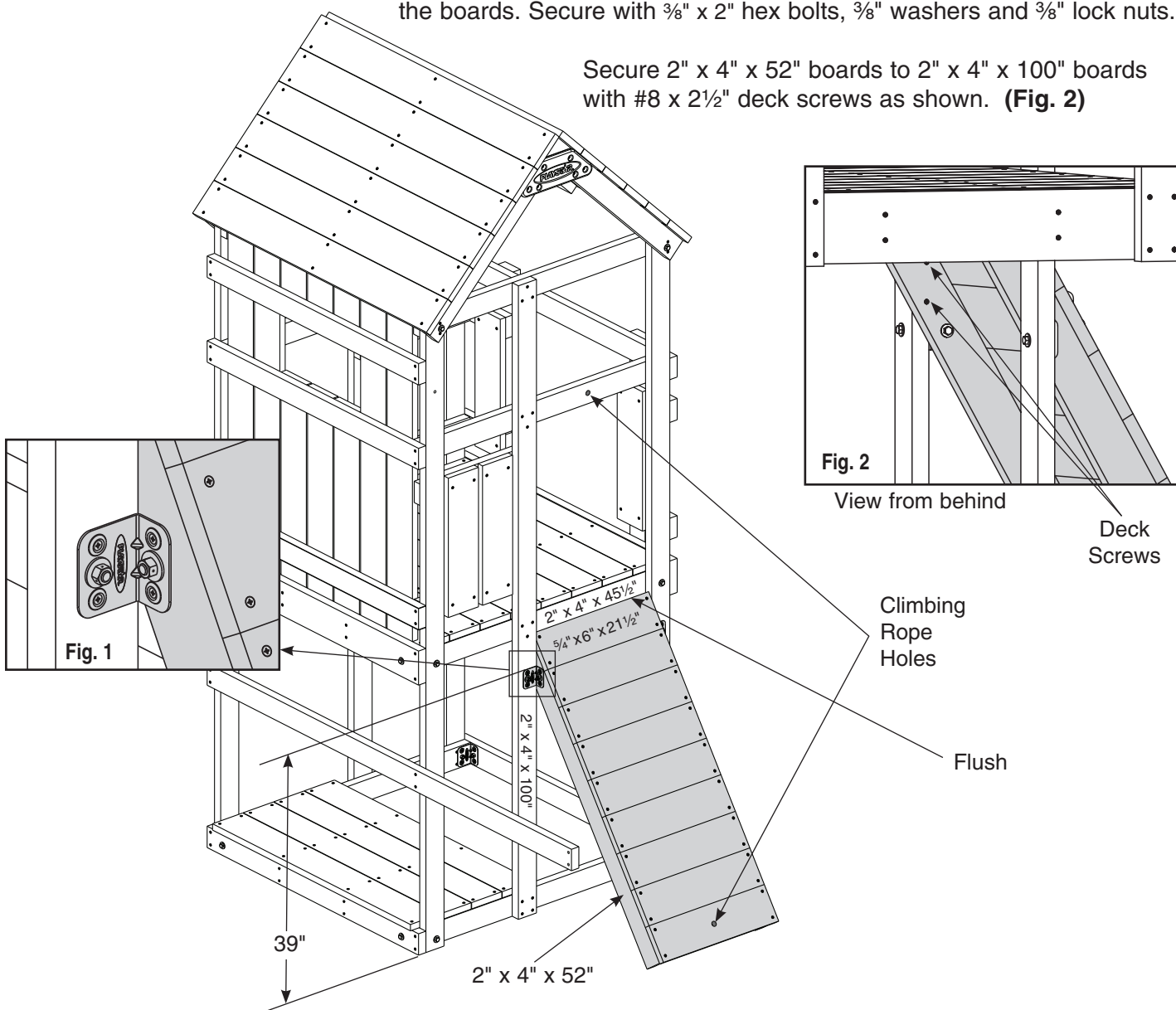
Again use brackets as a drill guide and drill $\frac{3}{8}$ " holes completely through the boards. Secure with $\frac{3}{8}$ " x 2" hex bolts, $\frac{3}{8}$ " washers and $\frac{3}{8}$ " lock nuts.

Attach rock wall to corner brackets as shown. Bottom corner of 2" x 4" x 52" board must rest on the ground and back edge of $5\frac{1}{4}$ " x 6" x $21\frac{1}{2}$ " must be flush with the front of the 2" x 4" x $45\frac{1}{2}$ " board.

Use brackets as a drill guide and drill $\frac{1}{8}$ " holes 1" deep into the boards. Attach with #8 x $1\frac{1}{4}$ " deck screws.

Again use brackets as a drill guide and drill $\frac{3}{8}$ " holes completely through the boards. Secure with $\frac{3}{8}$ " x 2" hex bolts, $\frac{3}{8}$ " washers and $\frac{3}{8}$ " lock nuts.

Secure 2" x 4" x 52" boards to 2" x 4" x 100" boards with #8 x $2\frac{1}{2}$ " deck screws as shown. **(Fig. 2)**



CONTENTS – Bronze Design Option



Contents:

- 1 **Tower - With:**
 - 2 Play Handles
 - 1 Sand Box Seat
 - 1 Vertical Climber

- 1 **Roof Assembly -**
 - (4 Boards Each Side)
- 3 **Laminated Legs**
- 1 **Swing Beam (8' Right)**
- 1 **Rock Wall 4ft (4 Rocks)**

- 1 **2" X 4" X 81" Board**
- 1 **2" X 4" X 60" board**

- 1 **Scoop Slide**

- 1 **Decorative Kit Box - Includes:**
 - 1 Dormer
 - 1 Cupola
 - 1 Flag
 - 1 Flag Pole
 - 1 Sunlight Window
 - 1 Stencil Kit
 - 1 Flower Box
 - 1 Design-a-Plaque
 - 1 Magnetic Chalkboard
 - 1 Decorative Hardware Bag

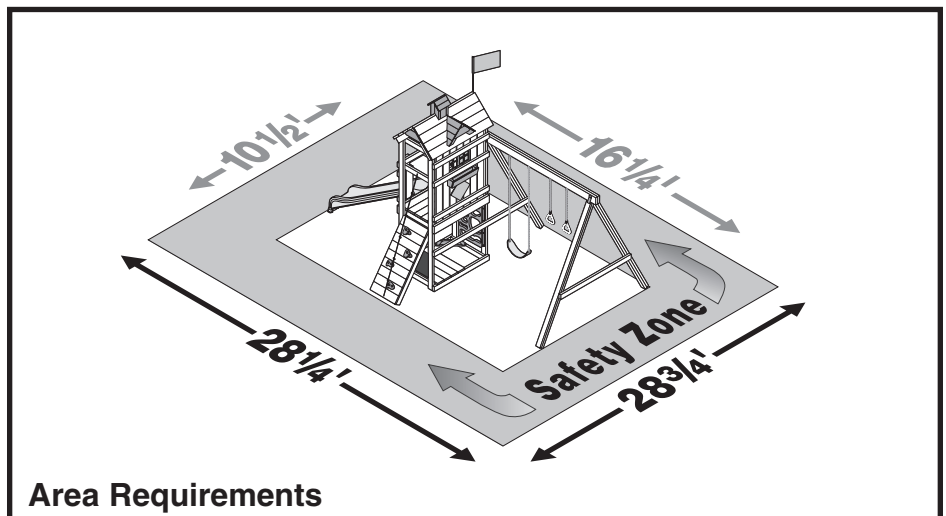
- 1 **Component Box - Includes:**
 - 1 Swing Assembly (Yellow)
 - 2 Gym Ring Assemblies (Yellow)
 - 1 Twisted Rope
 - 6 Anchor Augers
 - 1 Sturdy-Frame Brace
 - 6 Corner Brackets
 - 1 Trainer Hardware Bag
 - 1 Trainer F-B Instructions



Front View



Back View



Area Requirements

ROOF ASSEMBLY - BRONZE

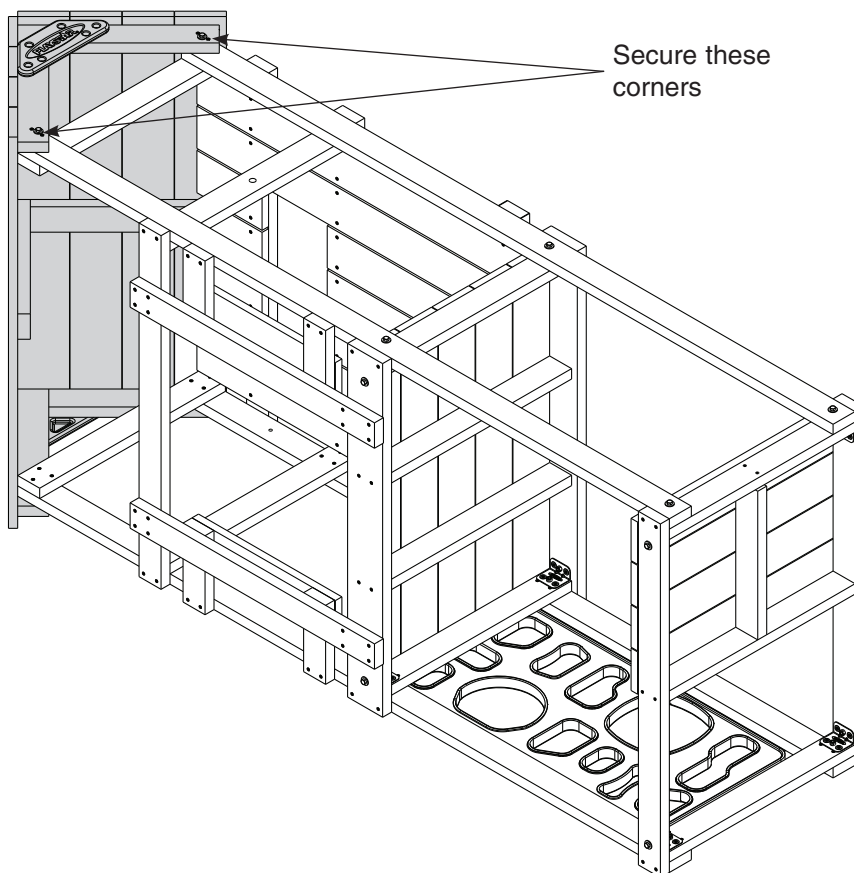
STOP

It is easier to install the Cupola, Dormer, and Flag now.
Follow the instructions on pages 33-37.

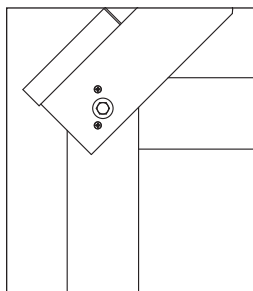
Items for **STEP 1:**

- (1) Roof Assembly
- (2) $\frac{3}{8}$ " x 5" hex bolts
- (4) $\frac{3}{8}$ " washers
- (2) $\frac{3}{8}$ " lock nuts
- (4) #8 x 2 $\frac{1}{2}$ " deck screws

Position roof assembly so both sides of roof overhang 2" x 4" boards equally. Secure top corners with two #8 x 2 $\frac{1}{2}$ " deck screws, $\frac{3}{8}$ " x 5" hex bolt, $\frac{3}{8}$ " washers and $\frac{3}{8}$ " lock nuts.



*Bolt & Screw
Placement Detail*



*Pre-drill –
1/8" Dia. for #8 x 2 $\frac{1}{2}$ " deck screws
3/8" Dia. for $\frac{3}{8}$ " x 5" hex bolts*

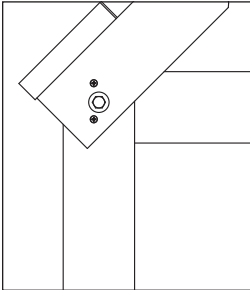
Items for STEP 2:

- (2) 3/8" x 5" hex bolts
- (4) 3/8" washers
- (2) 3/8" lock nuts
- (4) #8 x 2 1/2" deck screws

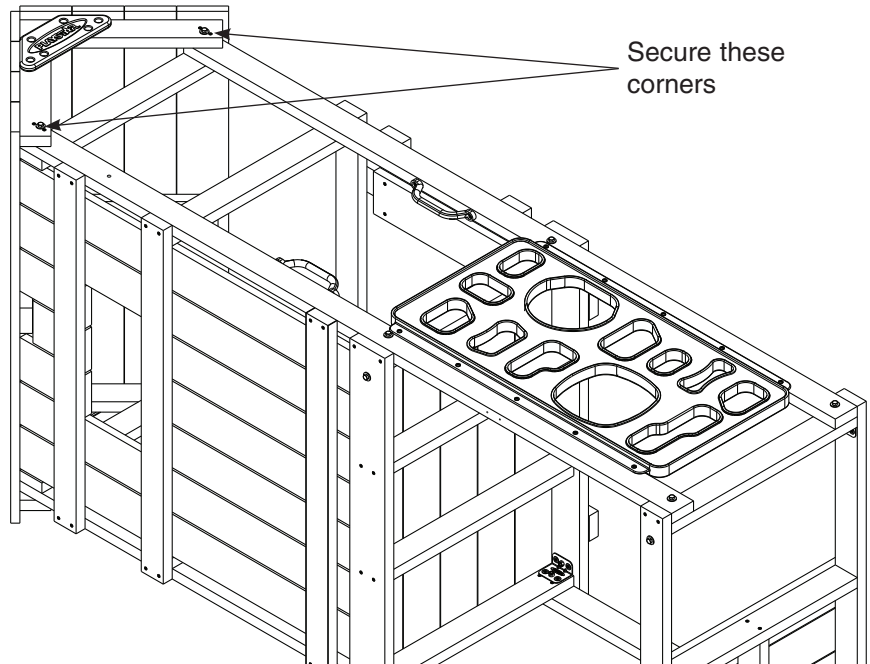
Rotate tower 180° as shown. Verify the unattached side of the roof overhangs the 2" x 4" boards equally. Secure the other two corners with #8 x 2 1/2" deck screws, 3/8" x 5" hex bolt, 3/8" washers and 3/8" lock nuts.

Lift tower assembly upright and position in desired location.

Bolt & Screw Placement Detail



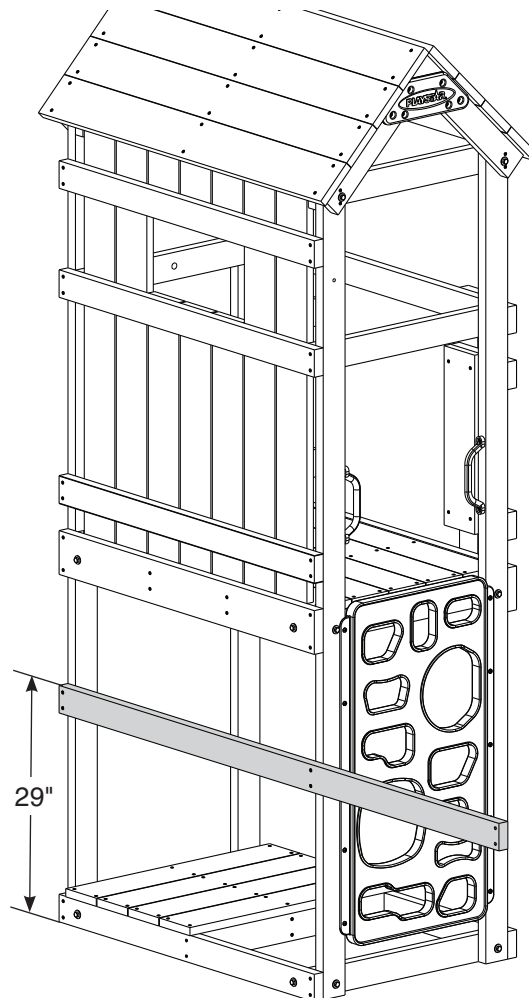
*Predrill –
1/8" Dia. for #8 x 2 1/2" deck screws
3/8" Dia. for 3/8" x 5" hex bolts*



Items for STEP 3:

- (2) 2" x 4" x 81" boards
- (4) #8 x 2 1/2" deck screws

Position boards at dimensions shown. Secure with #8 x 2 1/2" deck screws.



Items for STEP 4:

- (1) Rock Wall
- (2) Corner Brackets
- (4) $\frac{3}{8}$ " x 2" hex bolts
- (8) $\frac{3}{8}$ " washers
- (4) $\frac{3}{8}$ " lock nuts
- (8) #8 x 1 $\frac{1}{4}$ " deck screws
- (4) #8 x 2 $\frac{1}{2}$ " deck screws

Attach corner brackets.

Position brackets 39" up from bottom of tower with the long side of the brackets against the 2" x 4" x 100" boards and the short side flush with the inside edges as shown. **(Fig. 1)**

Use brackets as a drill guide and drill $\frac{1}{8}$ " holes 1" deep into the boards. Attach with #8 x 1 $\frac{1}{4}$ " deck screws.

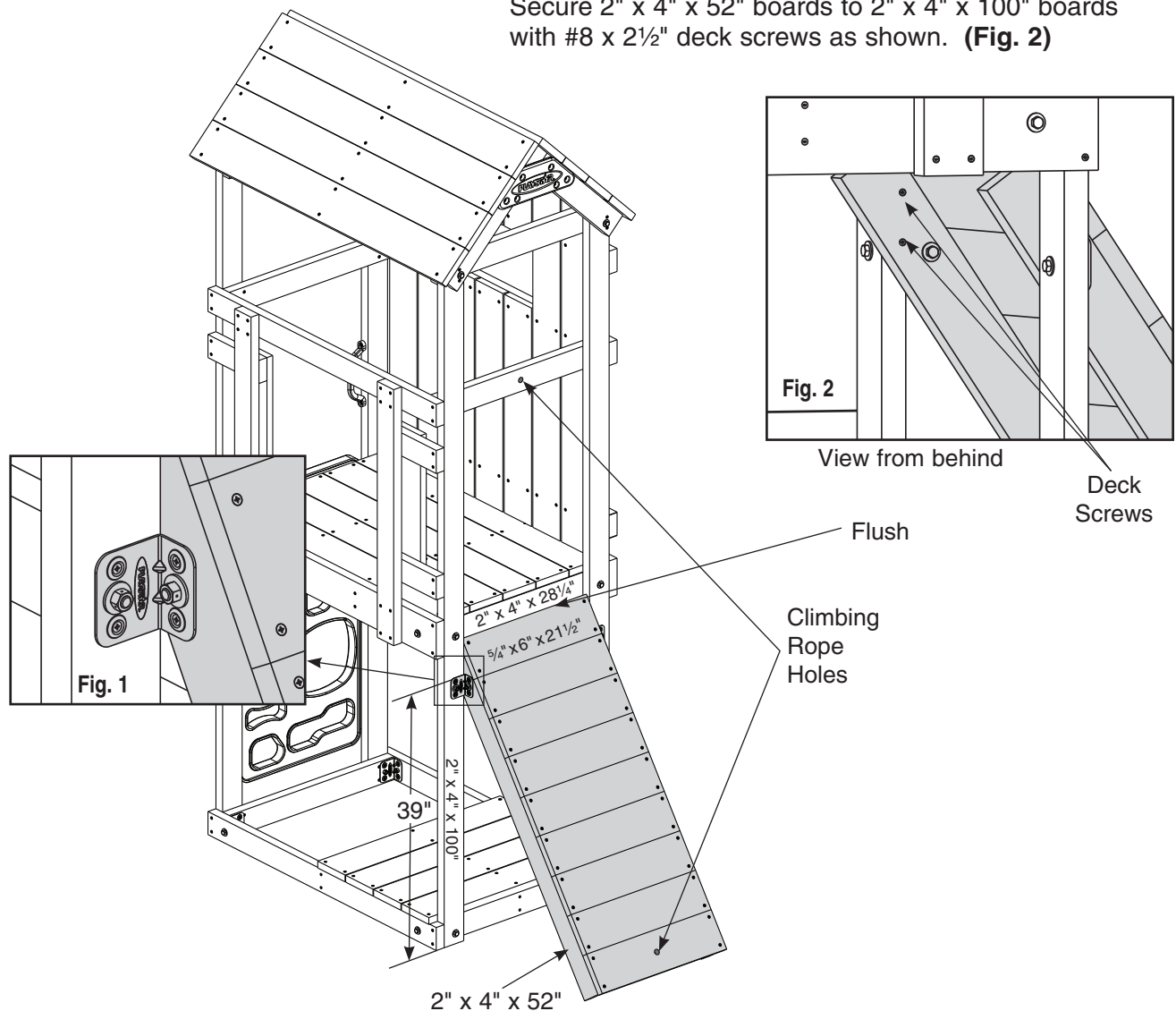
Again use brackets as a drill guide and drill $\frac{3}{8}$ " holes completely through the boards. Secure with $\frac{3}{8}$ " x 2" hex bolts, $\frac{3}{8}$ " washers and $\frac{3}{8}$ " lock nuts.

Attach rock wall to corner brackets as shown. Bottom corner of 2" x 4" x 52" board must rest on the ground and back edge of 5/4" x 6" x 21 $\frac{1}{2}$ " must be flush with the front of the 2" x 4" x 28 $\frac{1}{4}$ " board.

Use brackets as a drill guide and drill $\frac{1}{8}$ " holes 1" deep into the boards. Attach with #8 x 1 $\frac{1}{4}$ " deck screws.

Again use brackets as a drill guide and drill $\frac{3}{8}$ " holes completely through the boards. Secure with $\frac{3}{8}$ " x 2" hex bolts, $\frac{3}{8}$ " washers and $\frac{3}{8}$ " lock nuts.

Secure 2" x 4" x 52" boards to 2" x 4" x 100" boards with #8 x 2 $\frac{1}{2}$ " deck screws as shown. **(Fig. 2)**



CONTENTS - Starter Design Option



Front View

Contents:

- 1 Tower - With:
 - 2 Play Handles
 - 1 Vertical Climber
- 1 Roof Assembly -
(4 Boards Each Side)
- 3 Laminated Legs
- 1 Swing Beam (8' Right)
- 1 Rock Wall 4ft (4 Rocks)

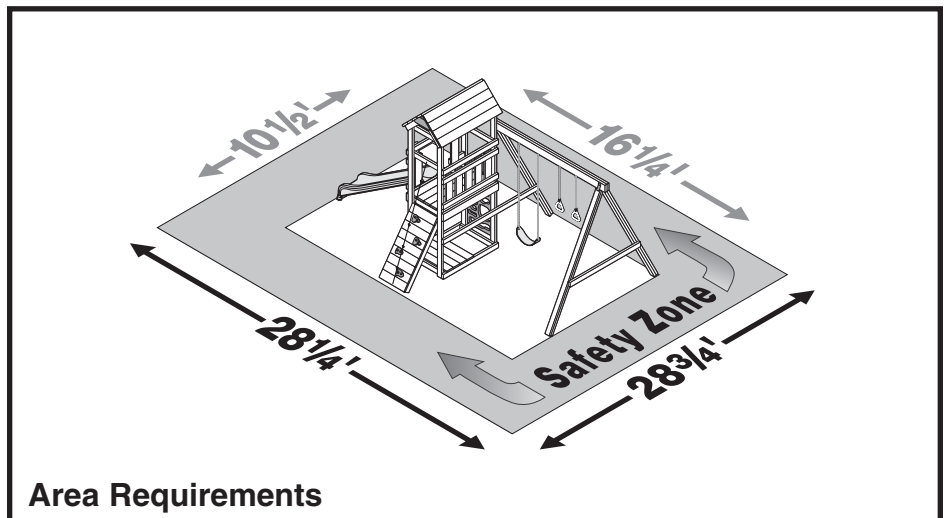
- 1 2" X 4" X 81" Board
- 1 2" X 4" X 60" board

- 1 Scoop Slide

- 1 Component Box - Includes:
 - 1 Swing Assembly (Yellow)
 - 2 Gym Ring Assemblies (Yellow)
 - 6 Anchor Augers
 - 1 Sturdy-Frame Brace
 - 6 Corner Brackets
 - 1 Trainer Hardware Bag
 - 1 Trainer F-B Instructions



Back View



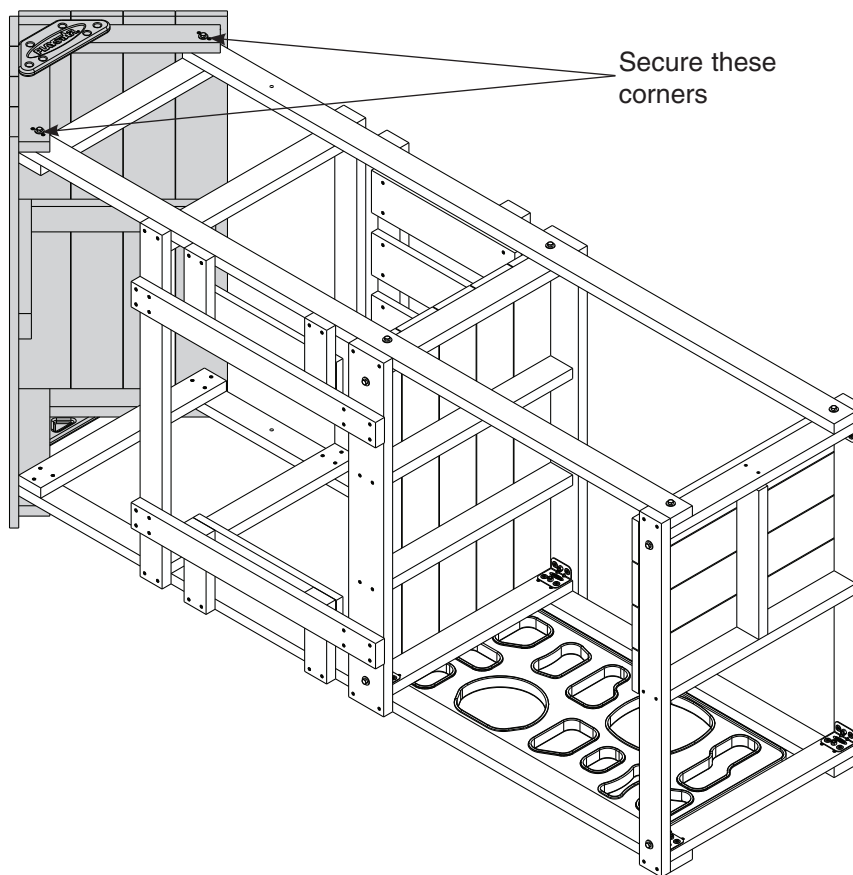
Area Requirements

ROOF ASSEMBLY - STARTER

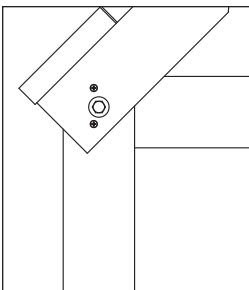
Items for **STEP 1:**

- (1) Roof Assembly
- (2) $\frac{3}{8}$ " x 5" hex bolts
- (4) $\frac{3}{8}$ " washers
- (2) $\frac{3}{8}$ " lock nuts
- (4) #8 x 2 $\frac{1}{2}$ " deck screws

Position roof assembly so both sides of roof overhang 2" x 4" boards equally. Secure top corners with two #8 x 2 $\frac{1}{2}$ " deck screws, $\frac{3}{8}$ " x 5" hex bolt, $\frac{3}{8}$ " washers and $\frac{3}{8}$ " lock nuts.



Bolt & Screw Placement Detail



Predrill –
 $\frac{1}{8}$ " Dia. for #8 x 2 $\frac{1}{2}$ " deck screws
 $\frac{3}{8}$ " Dia. for $\frac{3}{8}$ " x 5" hex bolts

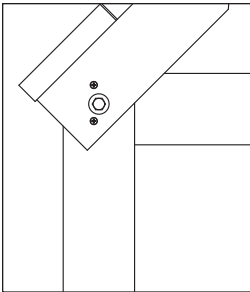
Items for **STEP 2:**

- (2) 3/8" x 5" hex bolts
- (4) 3/8" washers
- (2) 3/8" lock nuts
- (4) #8 x 2 1/2" deck screws

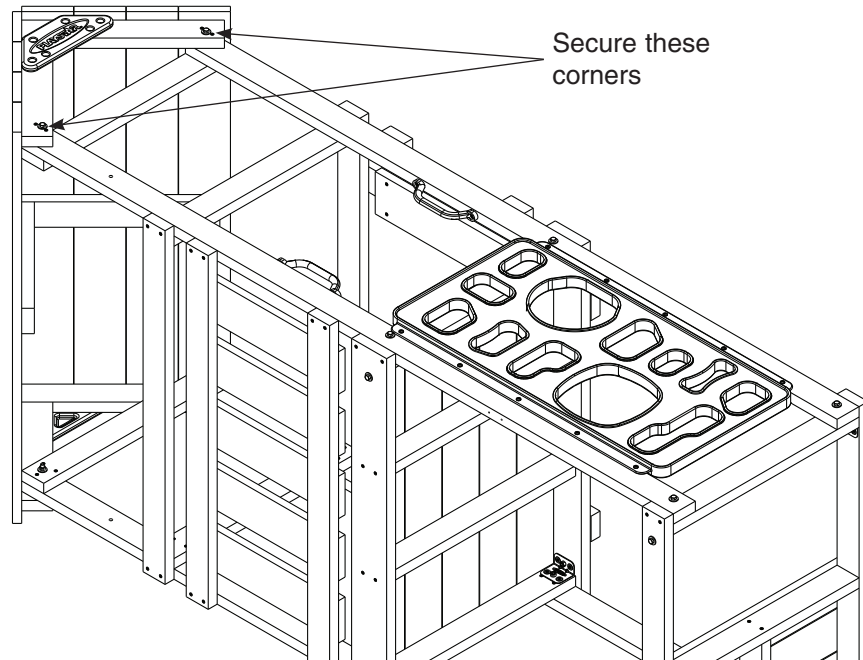
Rotate tower 180° as shown. Verify the unattached side of the roof overhangs the 2" x 4" boards equally. Secure the other two corners with #8 x 2 1/2" deck screws, 3/8" x 5" hex bolt, 3/8" washers and 3/8" lock nuts.

Lift tower assembly upright and position in desired location.

Bolt & Screw Placement Detail



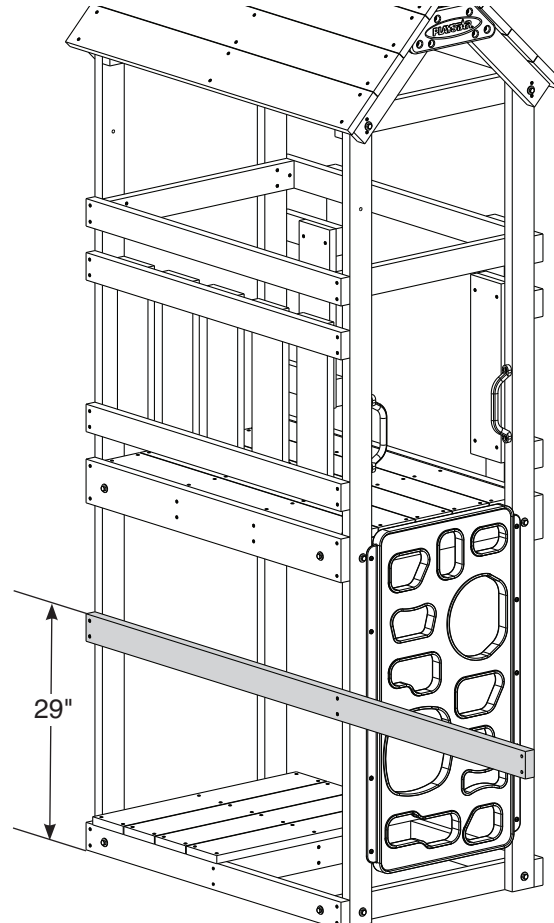
*Predrill –
1/8" Dia. for #8 x 2 1/2" deck screws
3/8" Dia. for 3/8" x 5" hex bolts*



Items for **STEP 3:**

- (1) 2" x 4" x 81" board
- (4) #8 x 2 1/2" deck screws

Position boards at dimensions shown. Secure with #8 x 2 1/2" deck screws.



Items for STEP 4:

- (1) Rock Wall
- (2) Corner Brackets
- (4) $\frac{3}{8}$ " x 2" hex bolts
- (8) $\frac{3}{8}$ " washers
- (4) $\frac{3}{8}$ " lock nuts
- (8) #8 x $1\frac{1}{4}$ " deck screws
- (4) #8 x $2\frac{1}{2}$ " deck screws

Attach corner brackets.

Position brackets 39" up from bottom of tower with the long side of the brackets against the 2" x 4" x 100" boards and the short side flush with the inside edges as shown. **(Fig. 1)**

Use brackets as a drill guide and drill $\frac{1}{8}$ " holes 1" deep into the boards. Attach with #8 x $1\frac{1}{4}$ " deck screws.

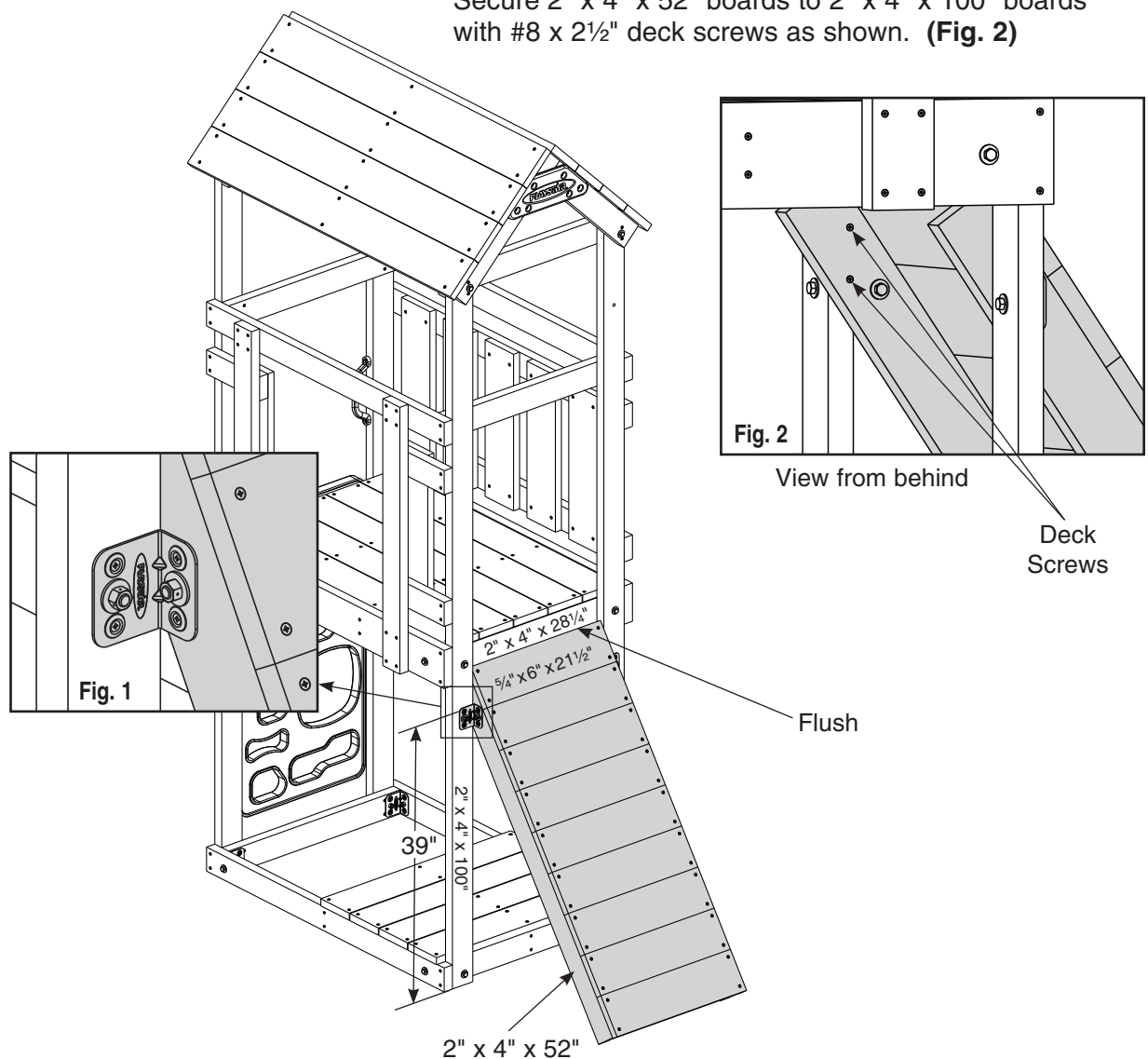
Again use brackets as a drill guide and drill $\frac{3}{8}$ " holes completely through the boards. Secure with $\frac{3}{8}$ " x 2" hex bolts, $\frac{3}{8}$ " washers and $\frac{3}{8}$ " lock nuts.

Attach rock wall to corner brackets as shown. Bottom corner of 2" x 4" x 52" board must rest on the ground and back edge of $\frac{5}{4}$ " x 6" x $21\frac{1}{2}$ " must be flush with the front of the 2" x 4" x $28\frac{1}{4}$ " board.

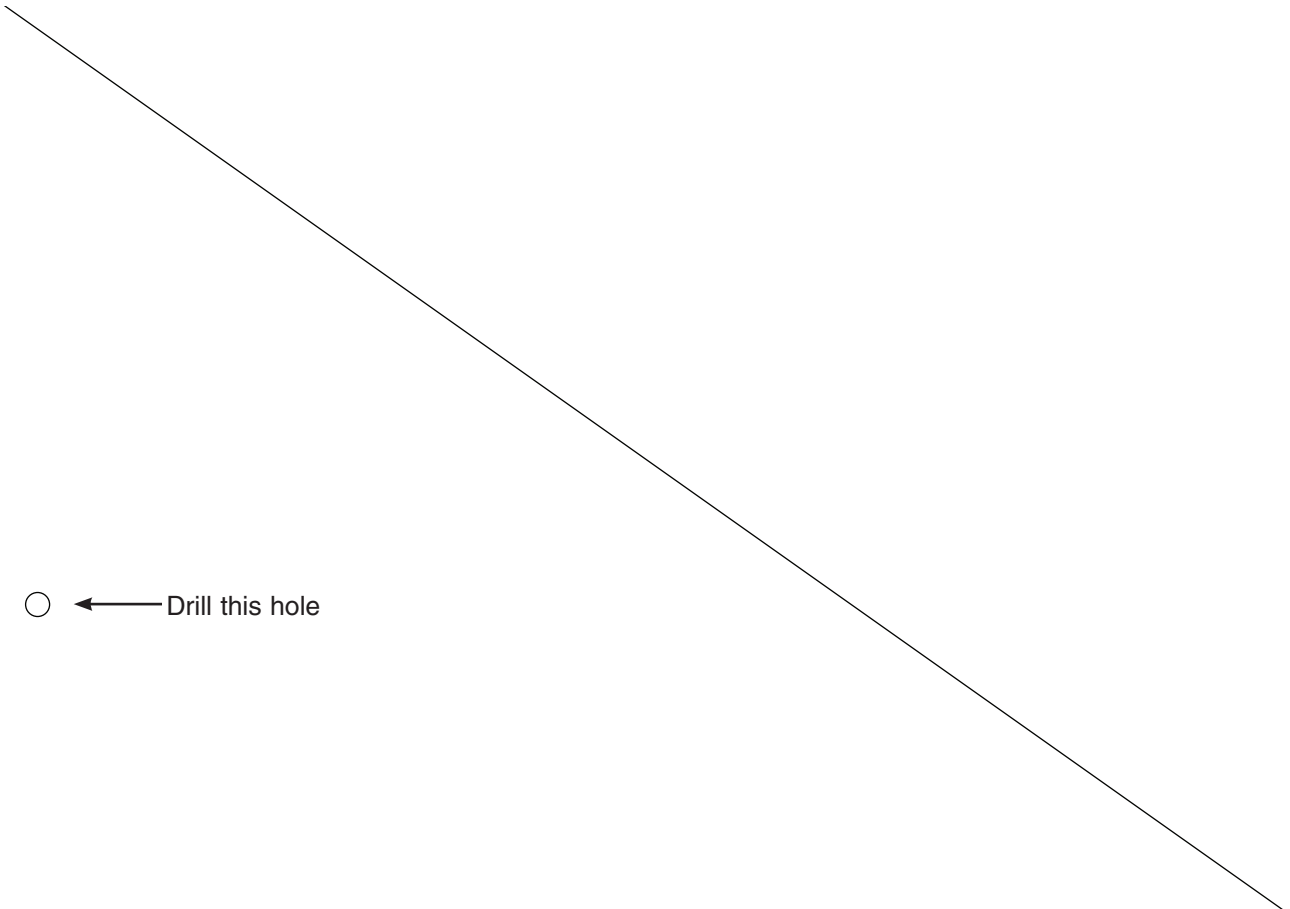
Use brackets as a drill guide and drill $\frac{1}{8}$ " holes 1" deep into the boards. Attach with #8 x $1\frac{1}{4}$ " deck screws.

Again use brackets as a drill guide and drill $\frac{3}{8}$ " holes completely through the boards. Secure with $\frac{3}{8}$ " x 2" hex bolts, $\frac{3}{8}$ " washers and $\frac{3}{8}$ " lock nuts.

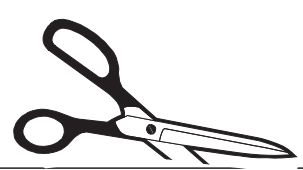
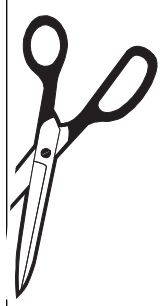
Secure 2" x 4" x 52" boards to 2" x 4" x 100" boards with #8 x $2\frac{1}{2}$ " deck screws as shown. **(Fig. 2)**



This page left blank intentionally.

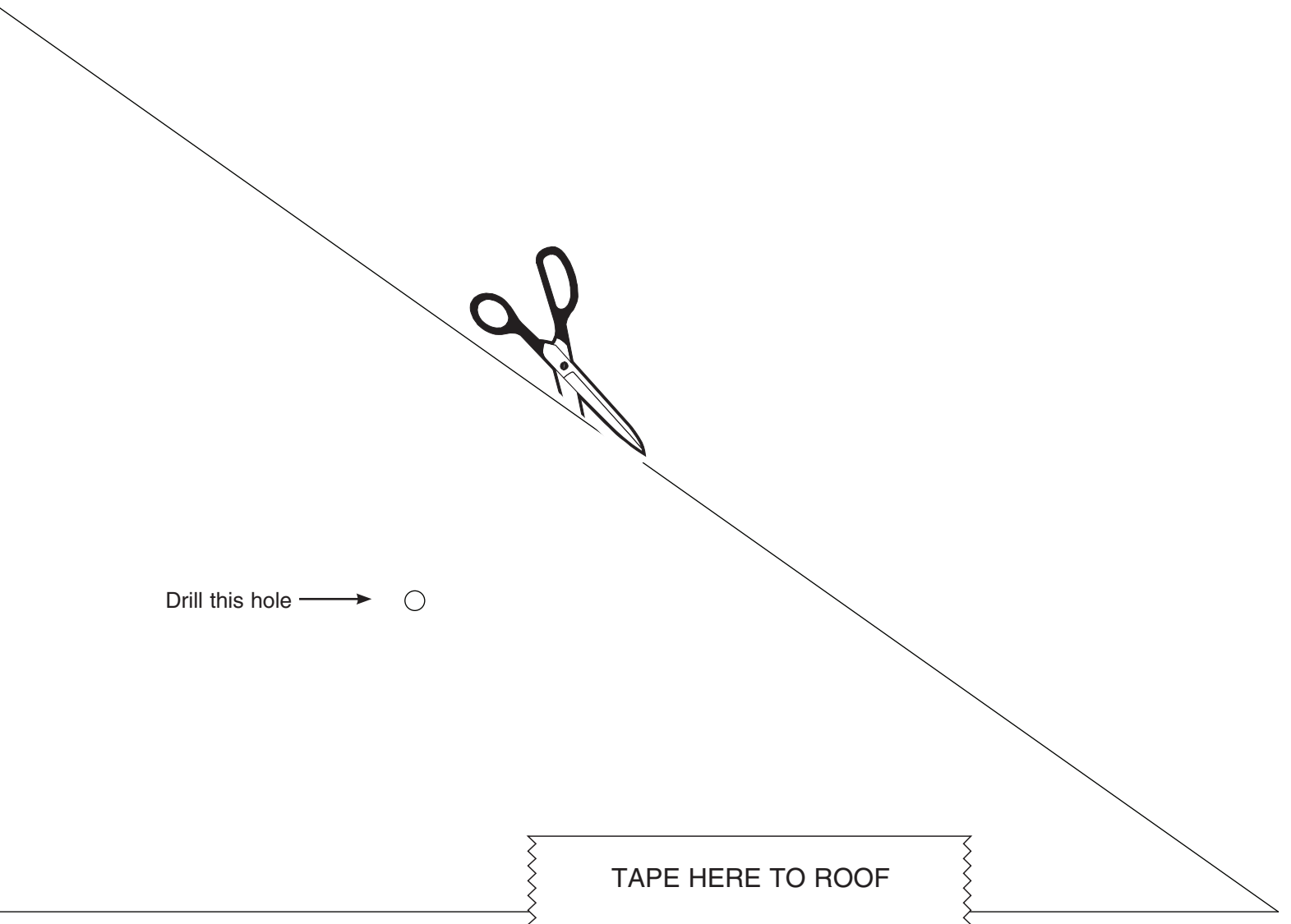


○ ← Drill this hole



TAPE HERE TO ROOF

Dormer Template (cut out) used in Step 1 on Page 33.



Drill this hole → ○

TAPE HERE TO ROOF

This page left blank intentionally.

SWING BEAM ASSEMBLY

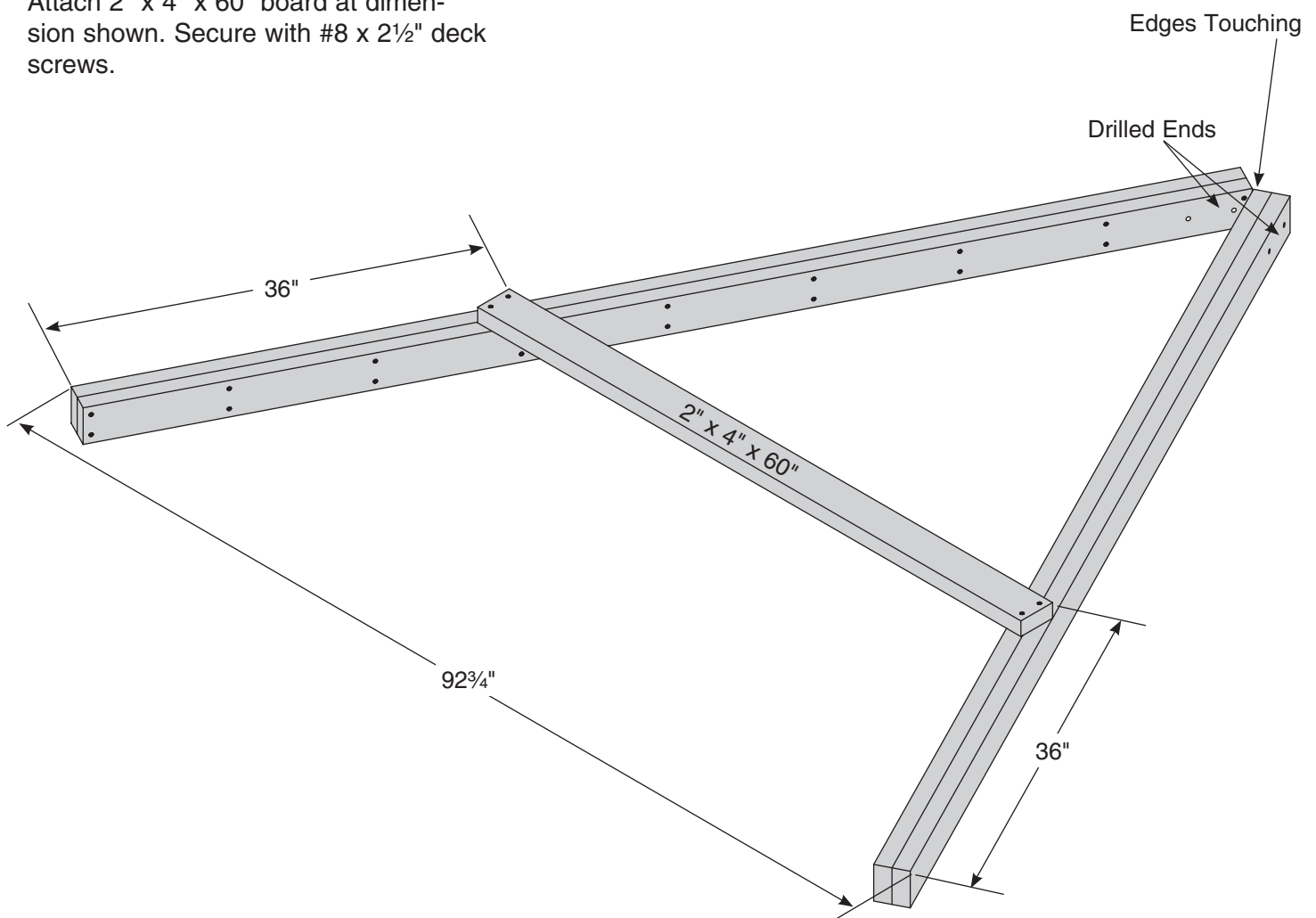
Items for STEP 1:

- (2) Laminated Legs
- (1) 2" x 4" x 60" board
- (4) #8 x 2½" deck screws

Position assembly as shown.

Align the posts so that the outermost points measure 92¾" as shown.

Attach 2" x 4" x 60" board at dimension shown. Secure with #8 x 2½" deck screws.



Items for STEP 2:

- (2) corner brackets
- (8) #8 x 1¼" screws
- (2) ¾" x 3½" hex bolts
- (2) ¾" x 2" hex bolts
- (8) ¾" washers
- (4) ¾" lock nuts

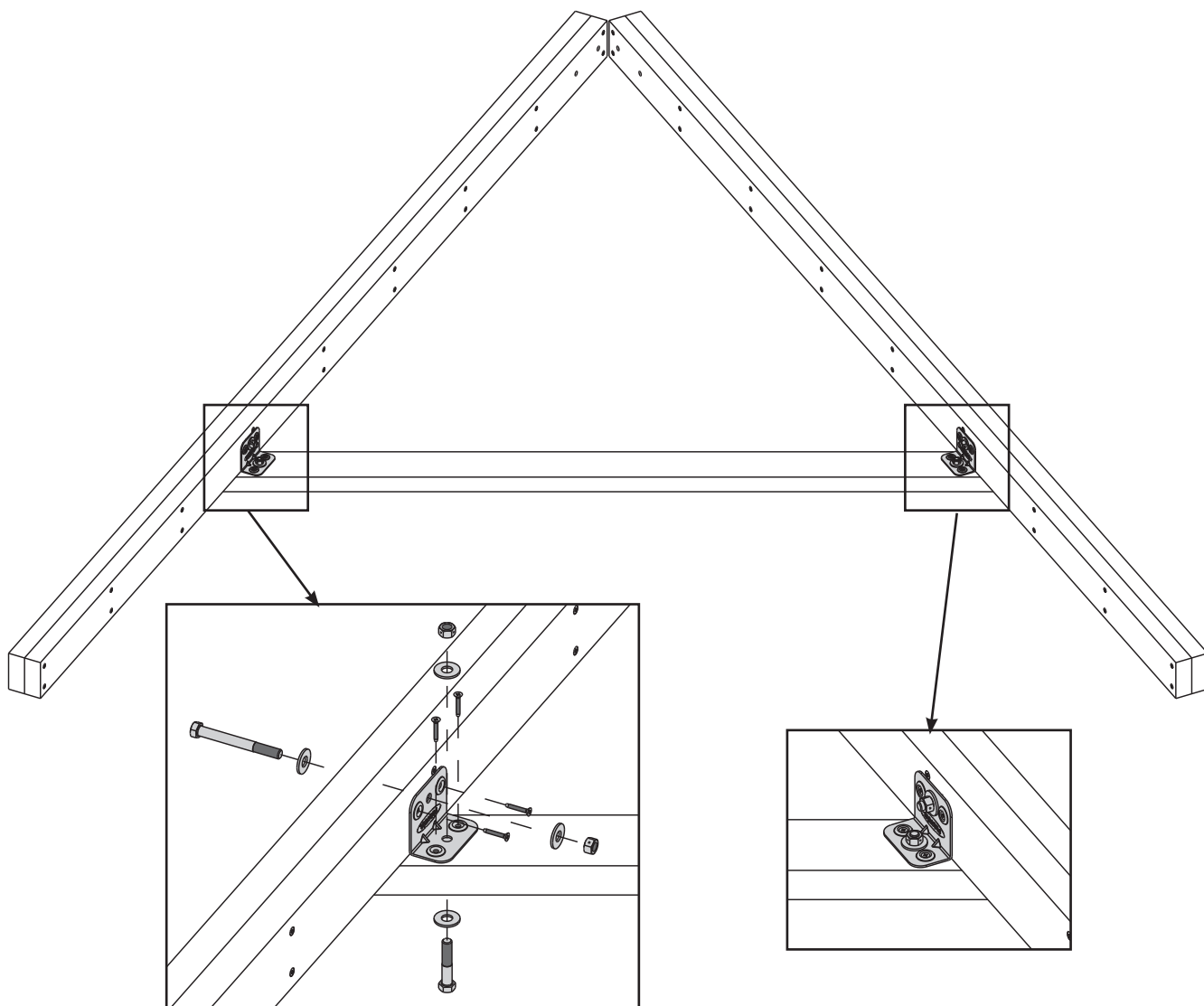
Attach corner brackets. To complete the A-Frame Assembly, flip over as shown and position brackets so that the short side is against the 2" x 4" x 60" board.

Use the bracket as a drill guide and drill ⅛" holes 1" deep into the board. Attach with #8 x 1¼" deck screws.

Again use the bracket as a drill guide and drill ¾" holes completely through the boards. Secure with ¾" hex bolts, ¾" washers and ¾" lock nuts.

NOTE: If you are bolting through one board use a ¾" x 2" hex bolt.

If you are bolting through two boards, use a ¾" x 3½" hex bolt.

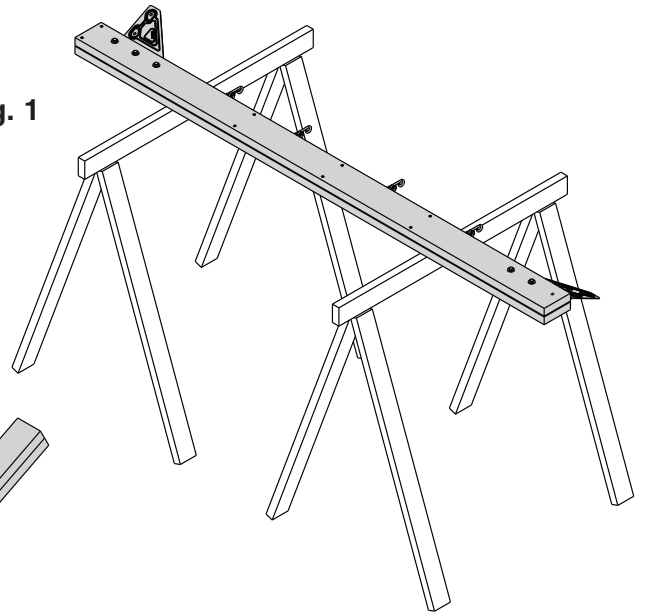


Items for STEP 3:

- (1) Swing Beam
- (1) A-frame Assembly
- (1) Sturdy-Frame Brace
- (5) $\frac{3}{8}$ " x $3\frac{1}{2}$ " hex bolts
- (10) $\frac{3}{8}$ " washers
- (5) $\frac{3}{8}$ " lock nuts

Lay swing beam on saw horses as shown. **(Fig. 1)**

Fig. 1



Position the A-frame assembly so that the top post is above the top bracket and the bottom post is below the bottom bracket. Line up the holes in the brackets with the holes in the posts and secure with $\frac{3}{8}$ " x $3\frac{1}{2}$ " hex bolts, $\frac{3}{8}$ " washers and $\frac{3}{8}$ " lock nuts. **(Fig. 2)**

Install the Sturdy-Frame Brace as shown and secure with $\frac{3}{8}$ " x $3\frac{1}{2}$ " hex bolt, $\frac{3}{8}$ " washer and lock nut. **(Fig. 2)**

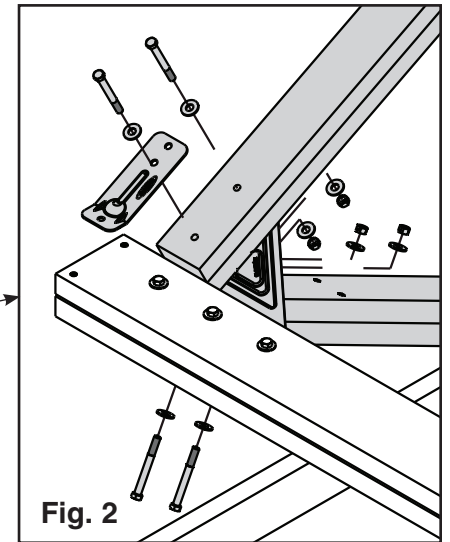
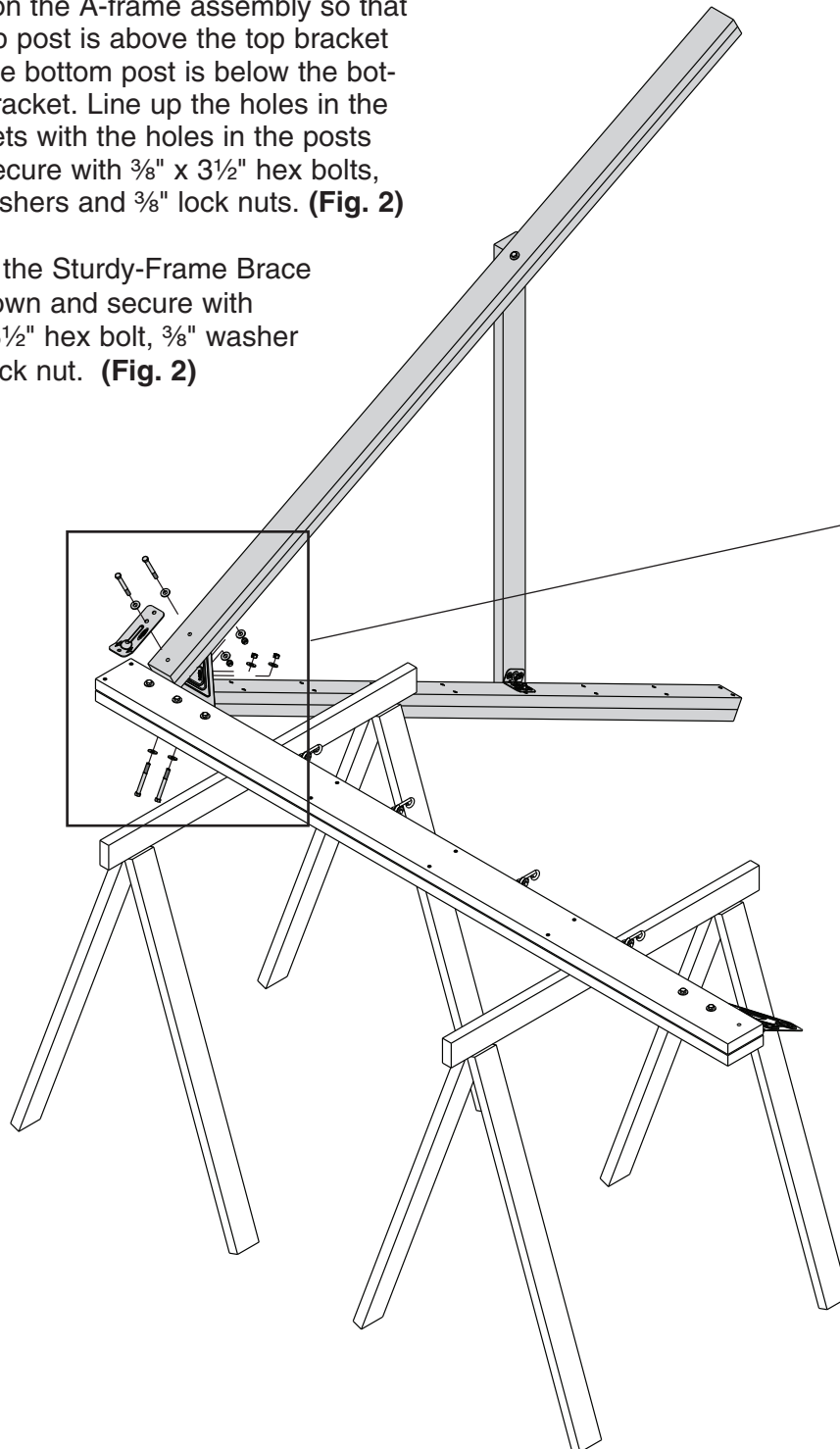
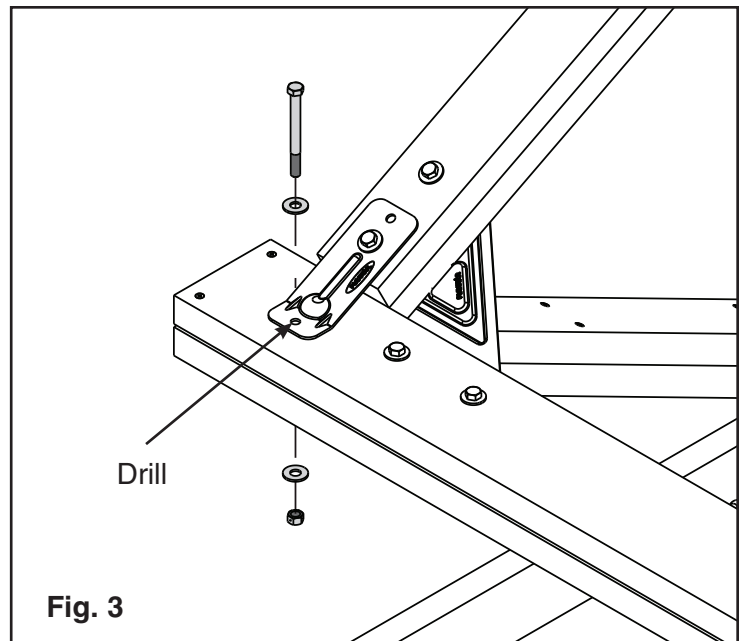


Fig. 2

Step 3 Cont.:

Make sure brace is square to beam. Using the brace as a template, drill a $\frac{3}{8}$ " hole completely through beam. **(Fig. 3)**

Secure the Sturdy-Frame Brace to the beam with a $\frac{3}{8}$ " x $3\frac{1}{2}$ " hex bolt, $\frac{3}{8}$ " washer and $\frac{3}{8}$ " lock nut.

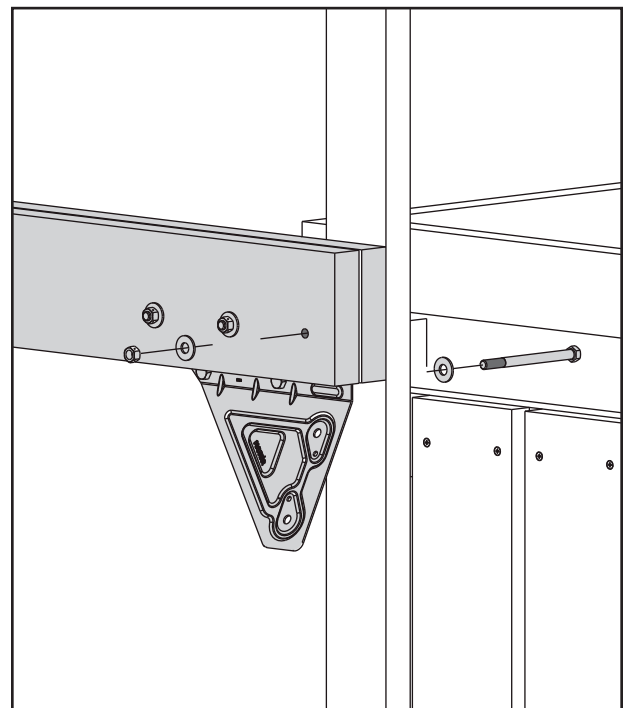
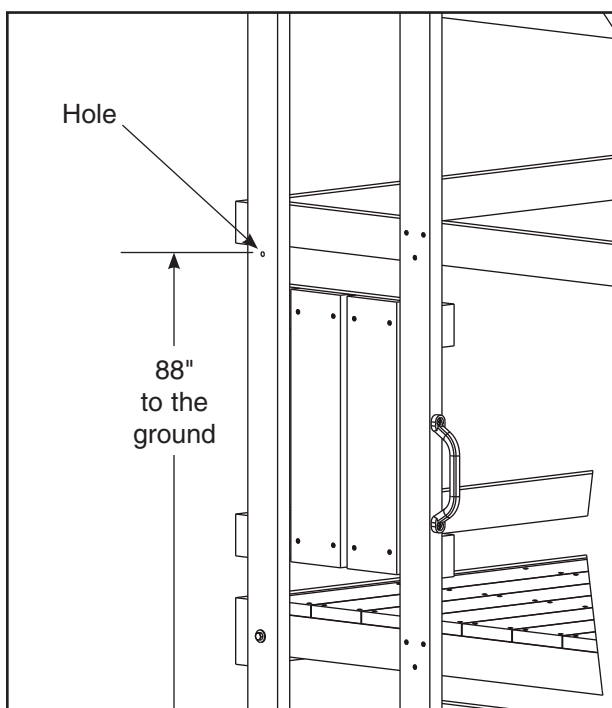


Items for STEP 4:

- (1) $\frac{3}{8}$ " x 5" hex bolt
- (2) $\frac{3}{8}$ " washers
- (1) $\frac{3}{8}$ " lock nut

Locate the hole on the 2" x 4" board of tower assembly where the Swing Station Assembly will be attached.

Position Swing Station Assembly against tower and secure with one $\frac{3}{8}$ " x 5" hex bolt, washers and lock nut as shown.

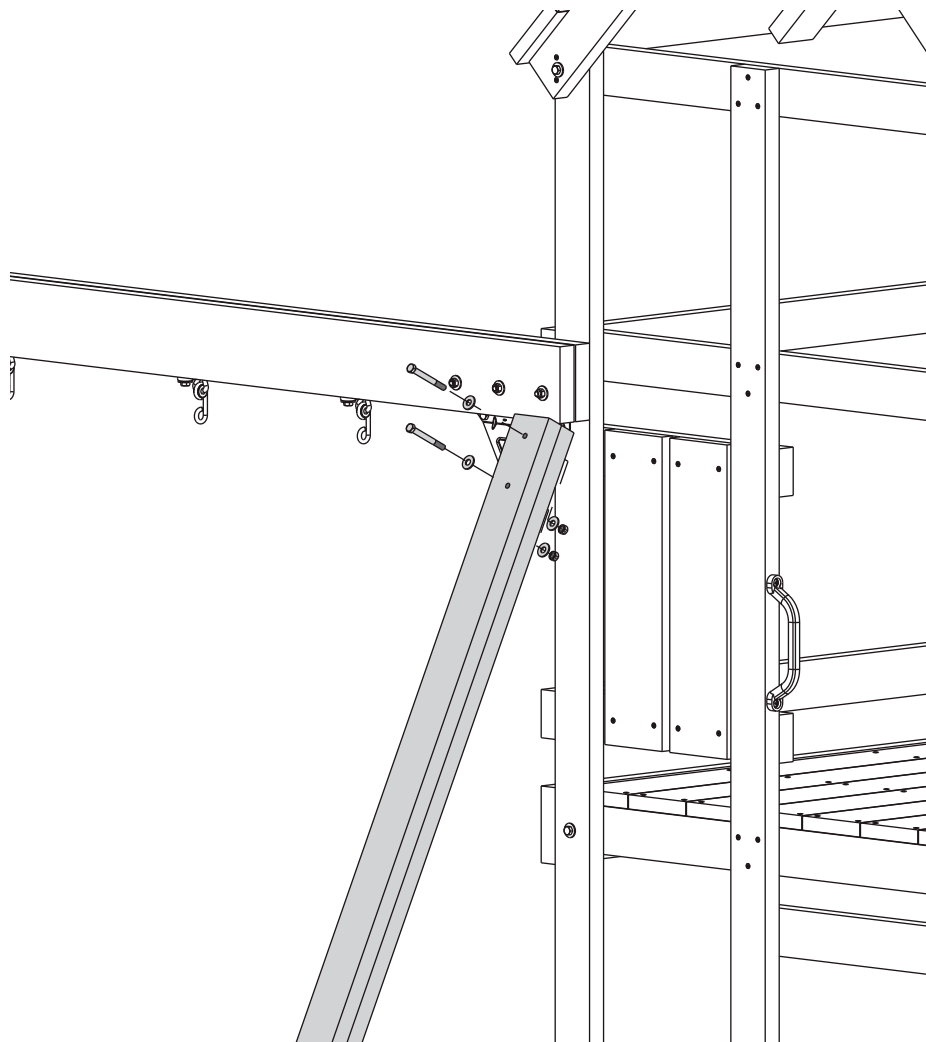


Items for STEP 5:

- (1) Laminated leg
- (2) $\frac{3}{8}$ " x $3\frac{1}{2}$ " hex bolts
- (4) $\frac{3}{8}$ " washers
- (2) $\frac{3}{8}$ " lock nuts

Position the laminated leg on the single bracket so that the holes of the bracket line up with the holes in the single post as shown.

Secure with $\frac{3}{8}$ " x $3\frac{1}{2}$ " hex bolts, $\frac{3}{8}$ " washers and $\frac{3}{8}$ " lock nuts as shown.



Items for STEP 6:

- (2) corner brackets
- (2) #8 x 2½" deck screws
- (8) #8 x 1¼" deck screws
- (1) ¾" x 3½" hex bolt
- (3) ¾" x 2" hex bolts
- (8) ¾" washers
- (4) ¾" lock nuts

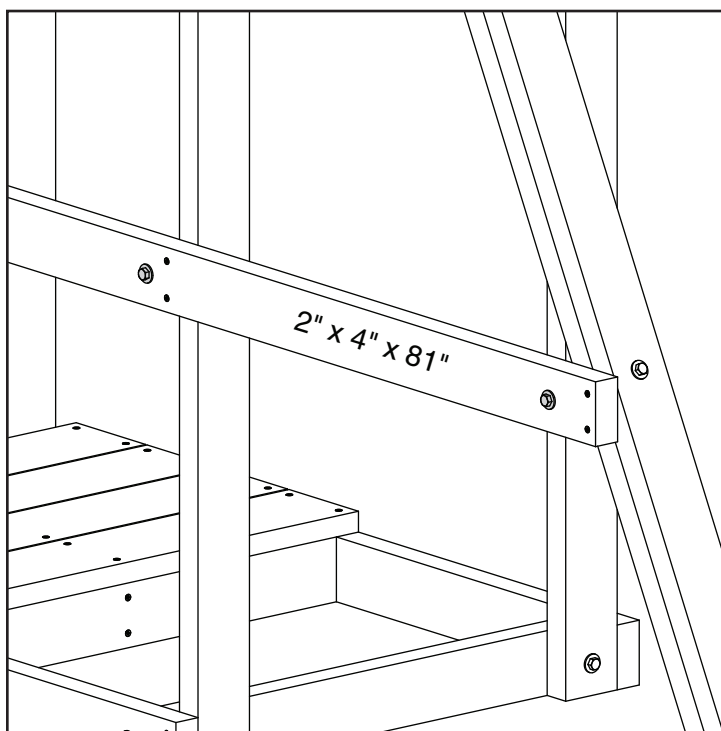
Attach 2" x 4" x 81" board to swing beam post. Secure using #8 x 2½" deck screws.

Position brackets so that the short sides are against the 2" x 4" x 81" board.

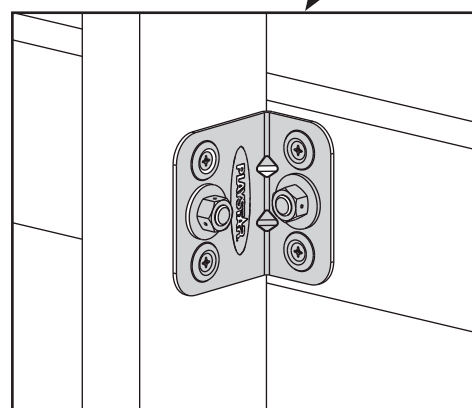
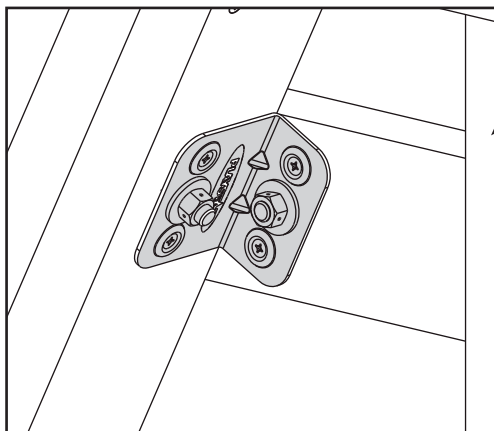
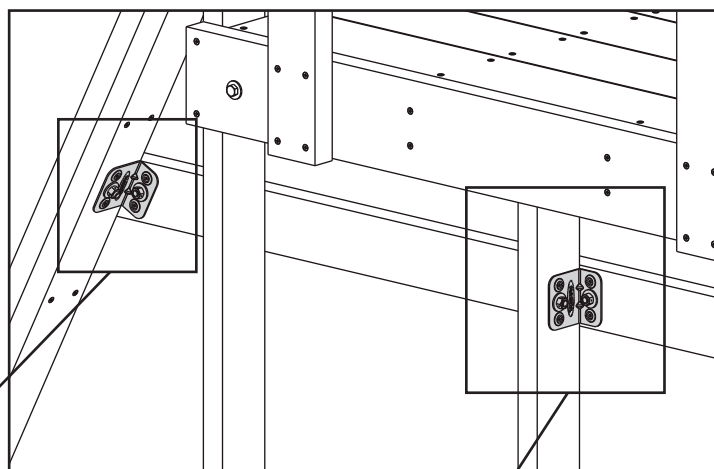
Use the bracket as a drill guide and drill ⅛" holes 1" deep into the board. Attach with #8 x 1¼" deck screws.

Again use the bracket as a drill guide and drill ⅜" holes completely through the boards. Secure with ¾" hex bolts (2" through one board and 3½" through two boards), ¾" washers and ¾" lock nuts.

Front View



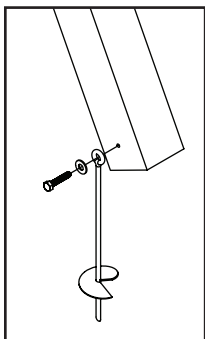
Shown from underneath the deck



ANCHORING

At locations shown screw Playset Anchors into ground by hand (a long screwdriver will help).

Use the anchor as a drill guide and drill a 1/4" hole 1" deep into the board. Attach with 3/8" x 1 1/2" lag screw and 3/8" washer.

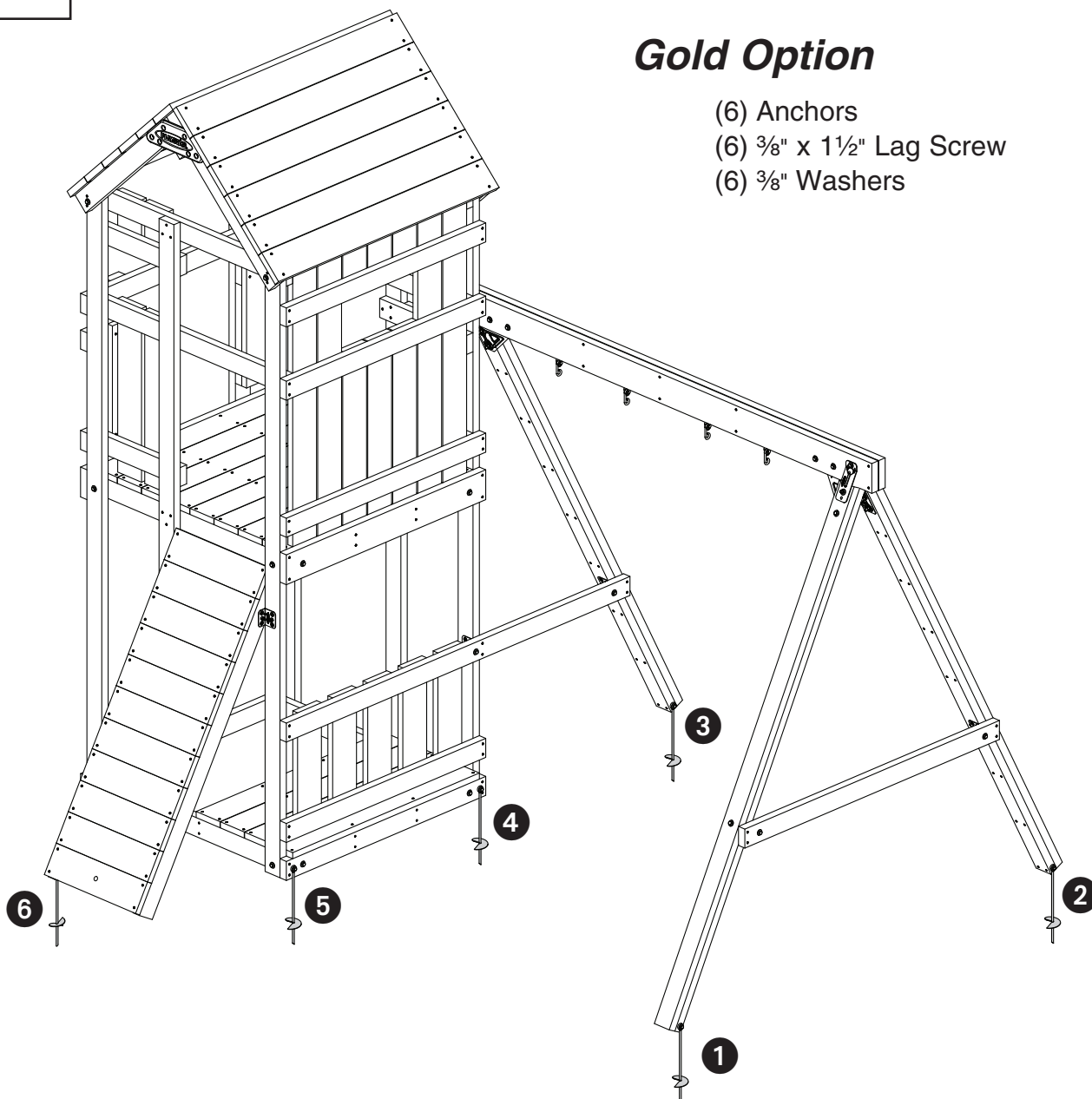


Note: If soil conditions permit anchors to be pulled out easily, such as in sandy soil conditions, cementing is required. If your ground is too hard to screw in the anchors, or you are having trouble lining up anchor with existing hole in tower, you can remove the earth with a shovel. Install the anchors and compact the earth as you replace it. Anchors must be placed below the level of the shock-absorbing surfacing material to prevent tripping or injury resulting from a fall.

Reminder: Be sure to install proper shock-absorbing surfacing material. Refer to the Safety Guide at the beginning of this plan.

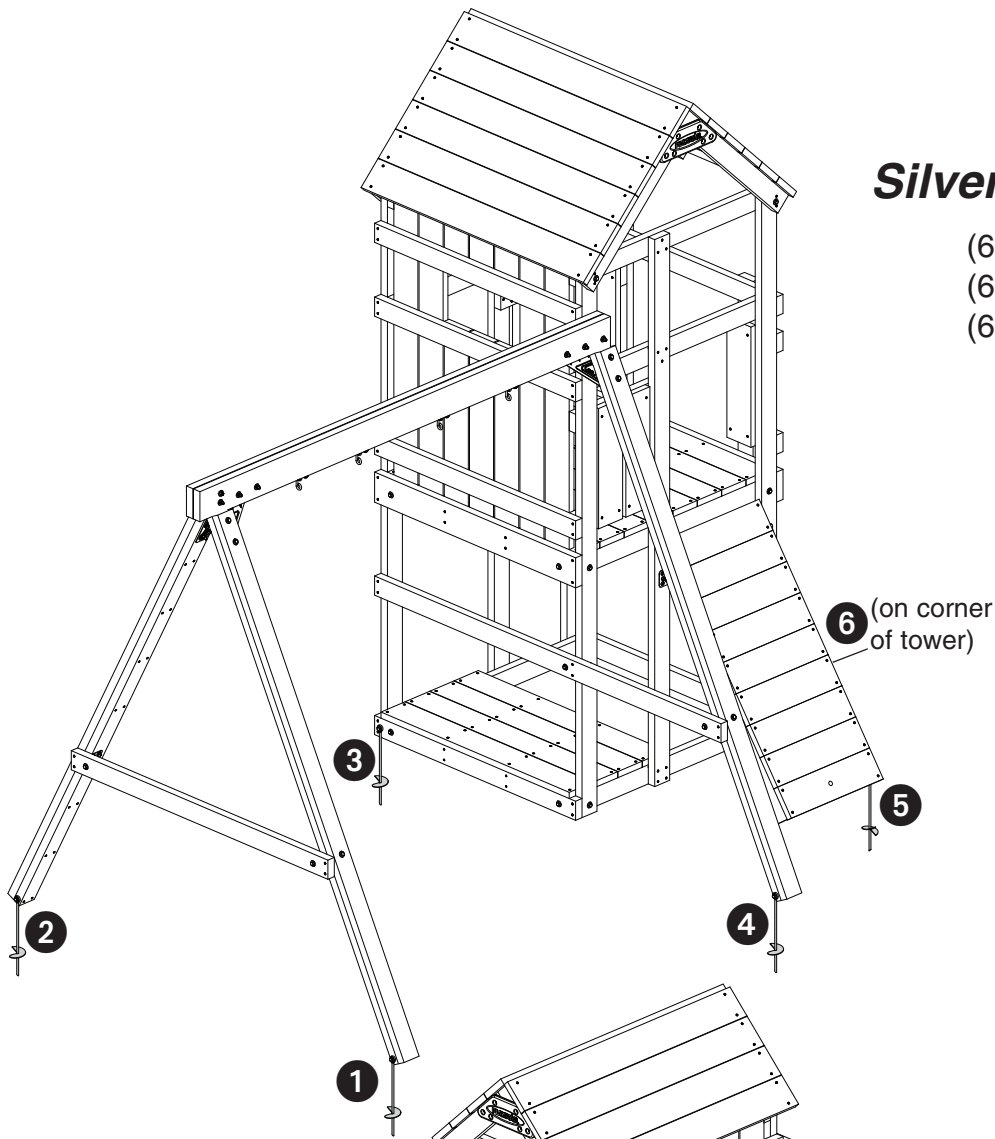
Gold Option

- (6) Anchors
- (6) 3/8" x 1 1/2" Lag Screw
- (6) 3/8" Washers



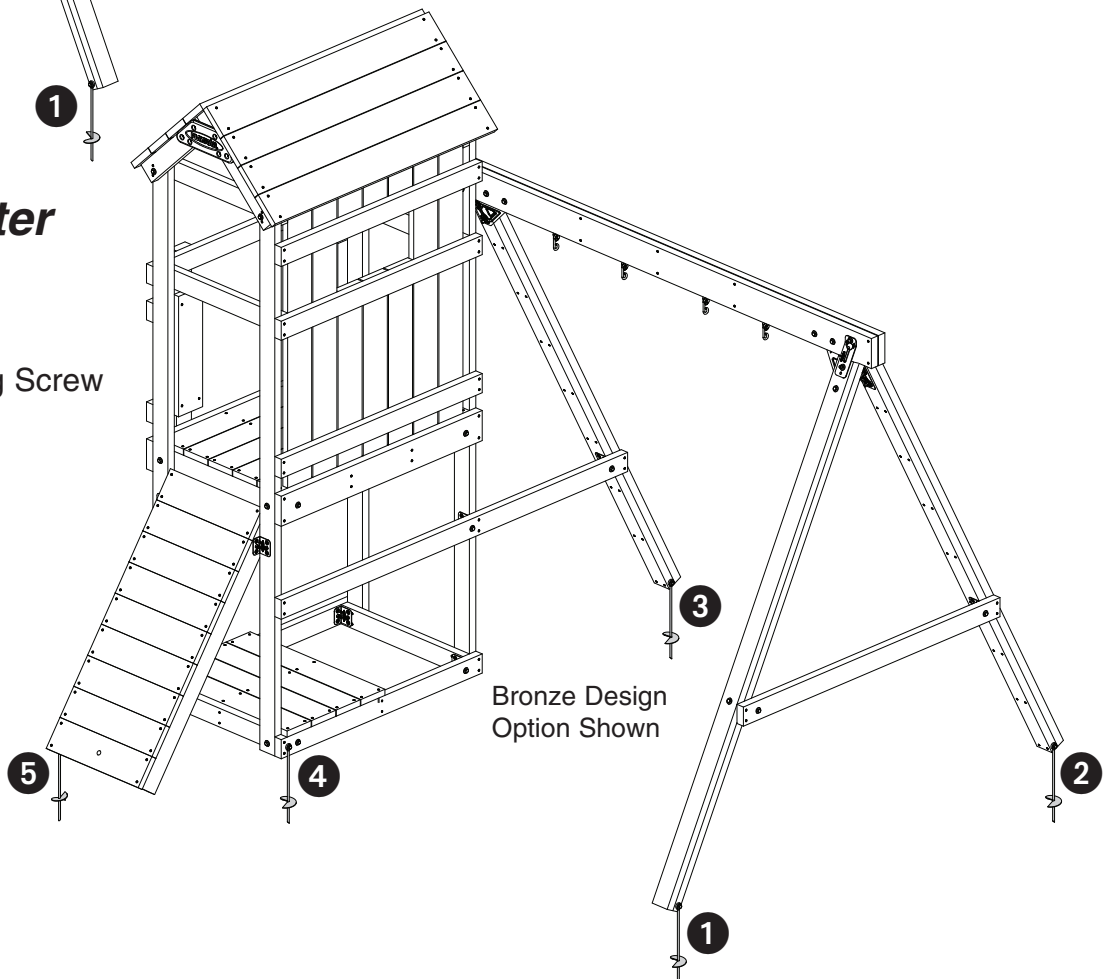
Silver Option

- (6) Anchors
- (6) $\frac{3}{8}$ " x $1\frac{1}{2}$ " Lag Screw
- (6) $\frac{3}{8}$ " Washers



Bronze & Starter Option

- (5) Anchors
- (5) $\frac{3}{8}$ " x $1\frac{1}{2}$ " Lag Screw
- (5) $\frac{3}{8}$ " Washers



DORMER ATTACHMENT

Items for STEP 1:

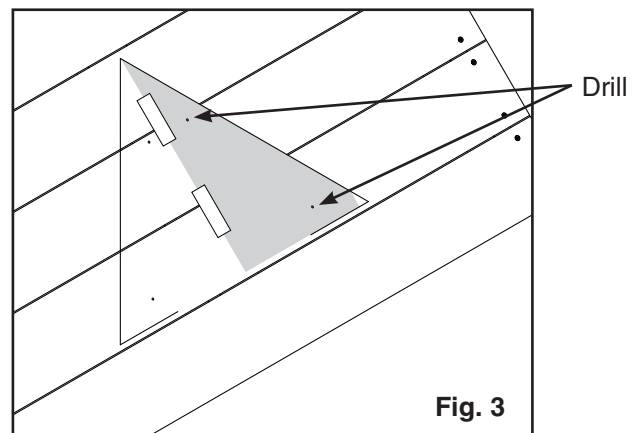
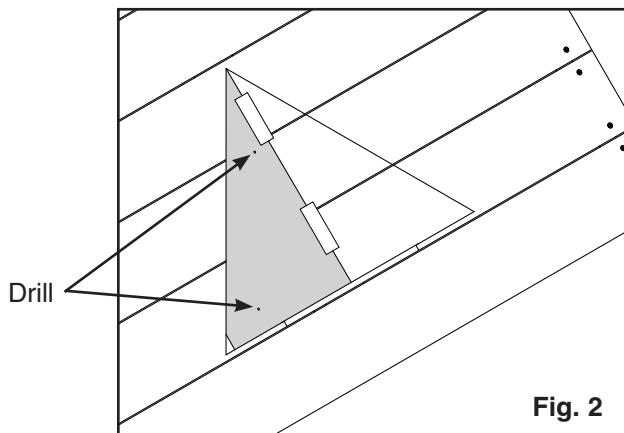
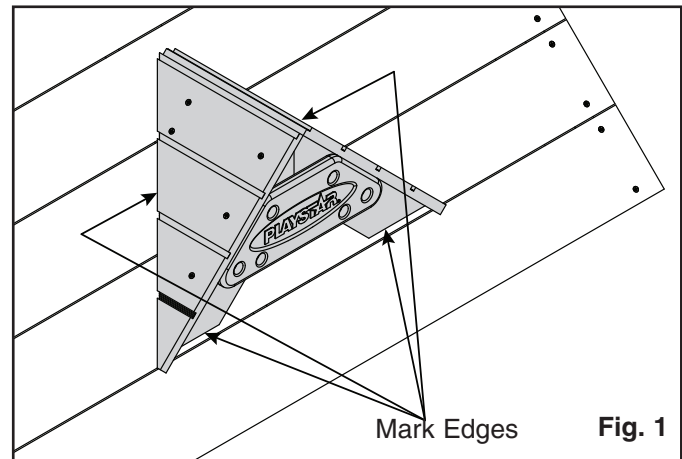
- (1) Dormer Template (Pg. 22-23)
- (4) #8 x 2½" deck screws

Set Accent Dormer at the desired location on the roof, making sure it is level. Mark edges with a pencil as shown. **Fig. 1**

Remove dormer. Cut out dormer template. (Pg. 22-23) Tape template on the roof, lining up the pencil edges. Locate and mark the two hole locations as shown. Drill ⅛" holes through the roof. **Fig. 2**

Flip template over and repeat. **Fig. 3**

Align the dormer with the pencil marks. Using the previously drilled holes as a guide, predrill ⅛" holes into the dormer from the inside of the roof. Secure from inside the roof with #8 deck screws.



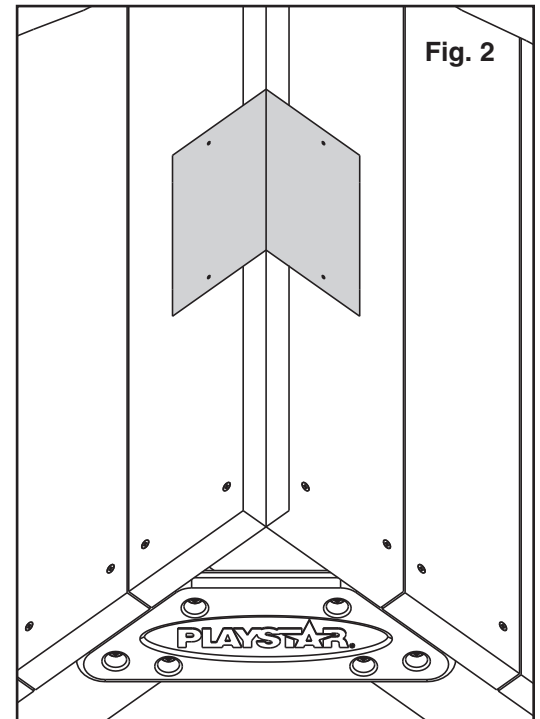
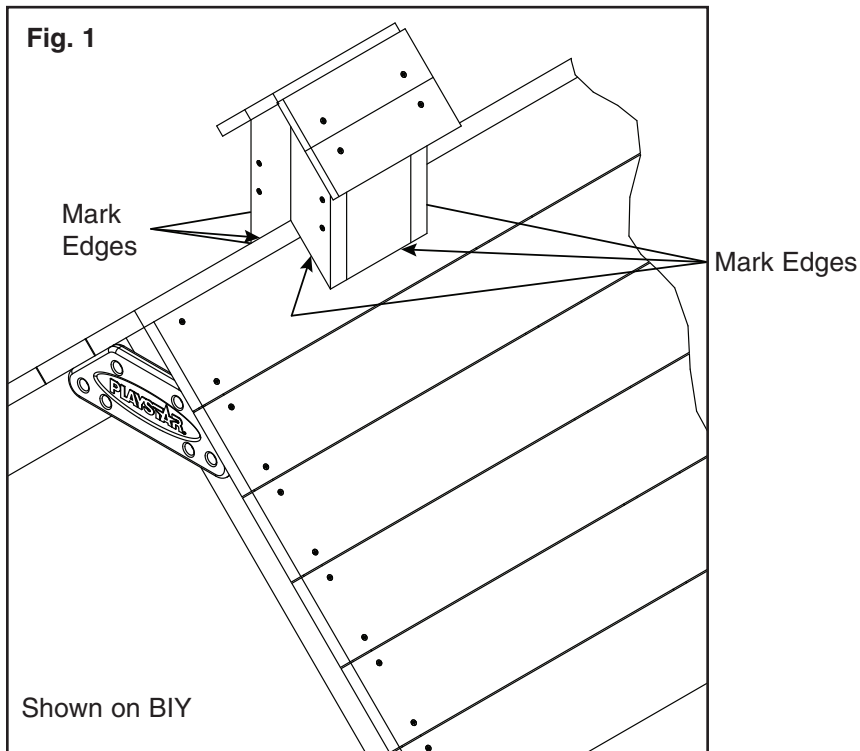
CUPOLA ATTACHMENT

Items for **STEP 1:**

- (1) Cupola Template (Pg. 35)
- (1) Cupola Assembly

Set cupola at the desired location. Mark all six edges as shown. **Fig. 1**

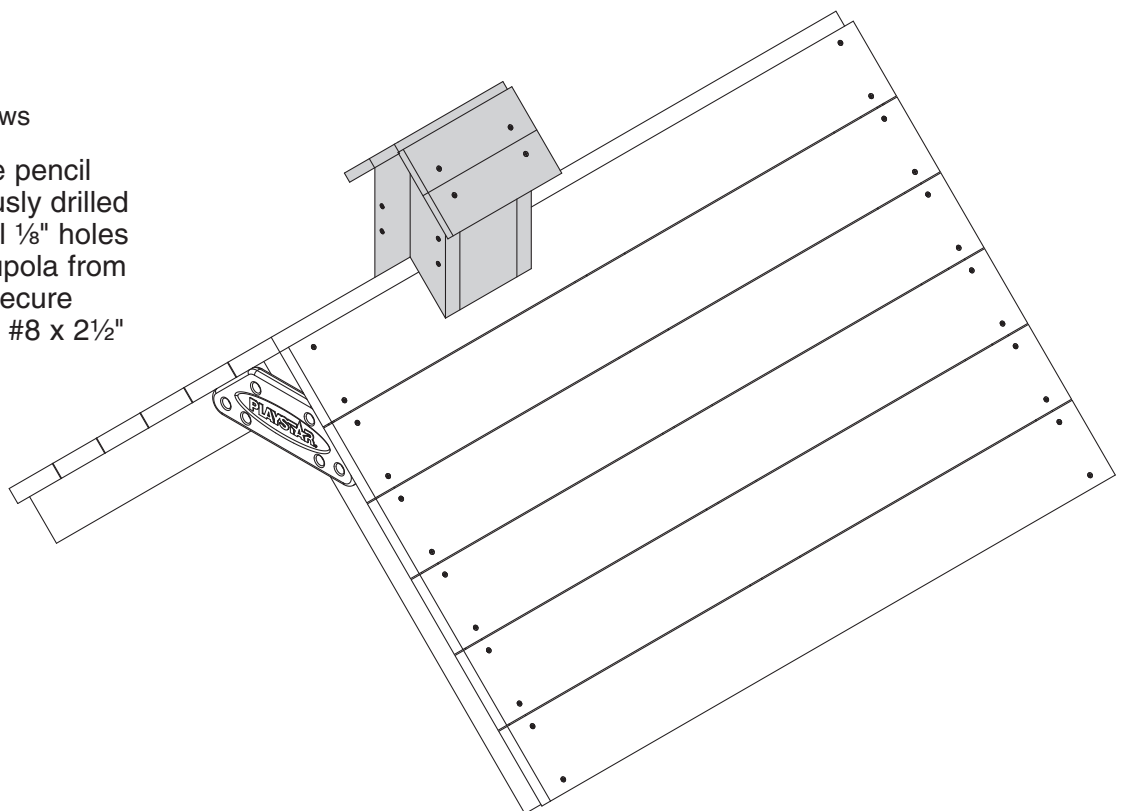
Remove cupola. Cut out cupola template on facing page. Tape template on the roof, lining up the pencil edges. Locate and mark the four hole locations as shown. Drill $\frac{1}{8}$ " holes through the roof. **Fig. 2**



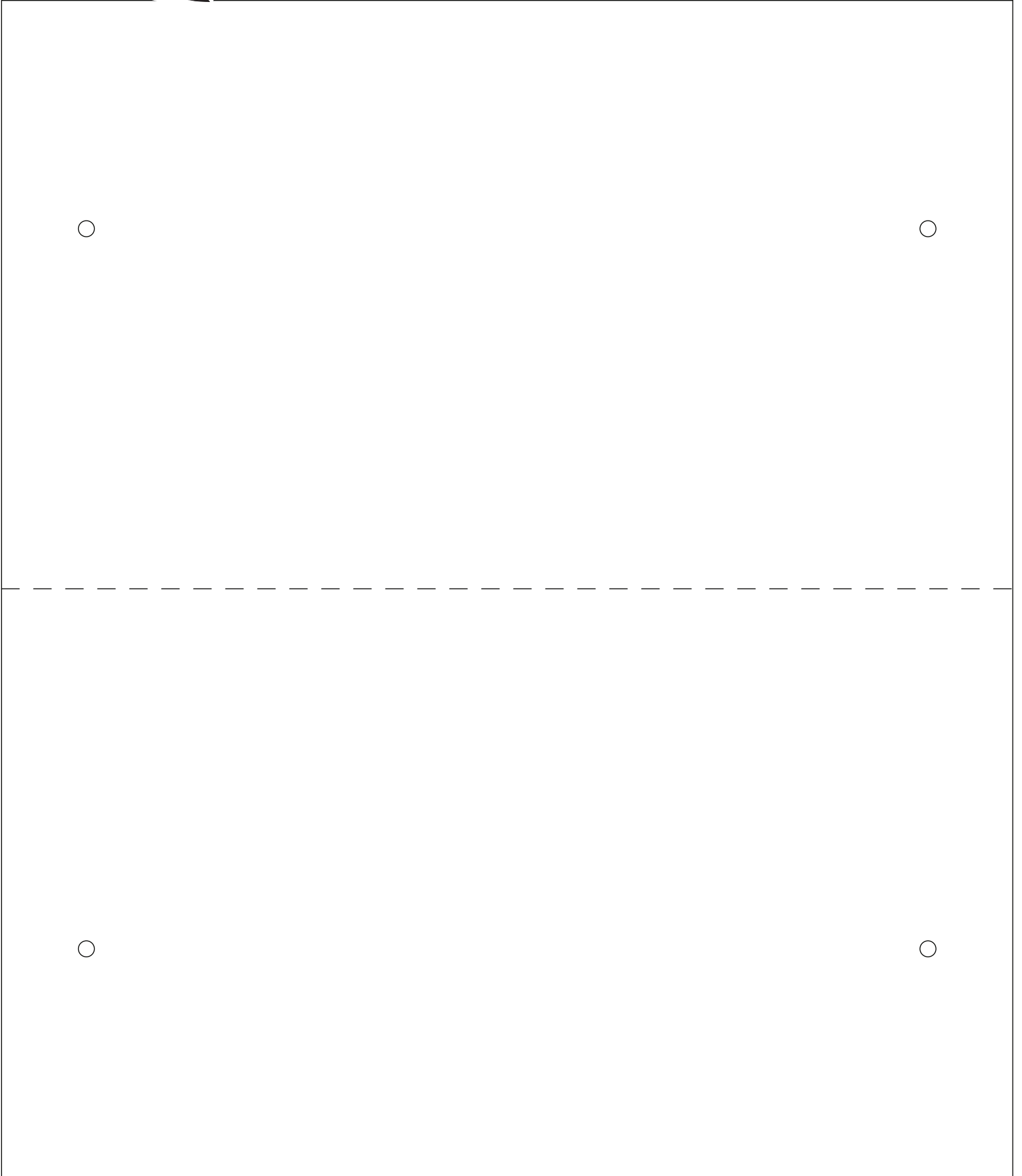
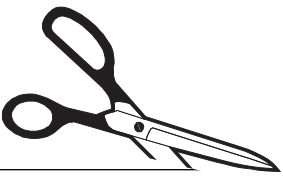
Items for **STEP 2:**

- (4) #8 x 2 $\frac{1}{2}$ " deck screws

Align the cupola with the pencil mark. Using the previously drilled holes as a guide, predrill $\frac{1}{8}$ " holes into the bottom of the cupola from the inside of the roof. Secure from inside the roof with #8 x 2 $\frac{1}{2}$ " deck screws.



Cupola Template (cut out) used in Step 1 on Page 34.



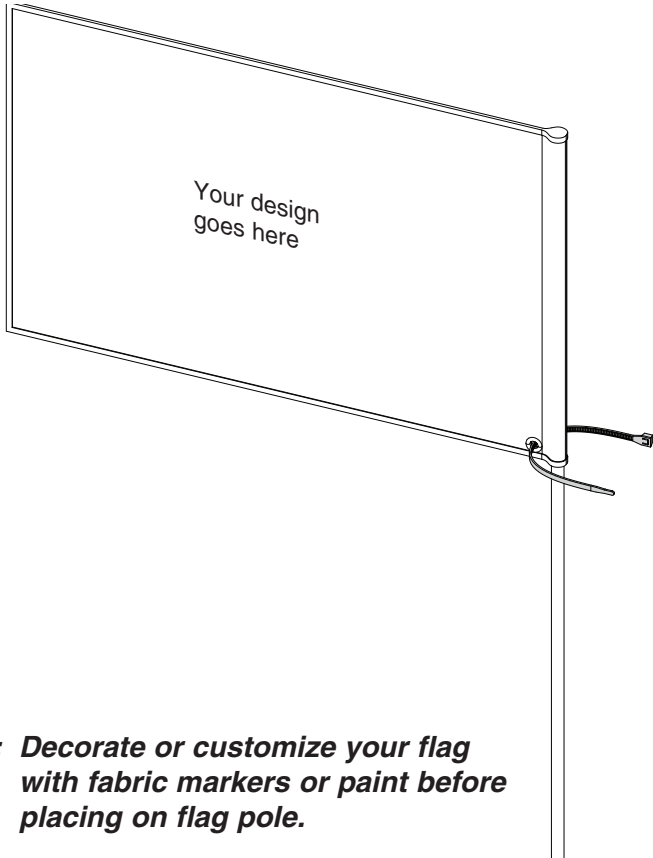
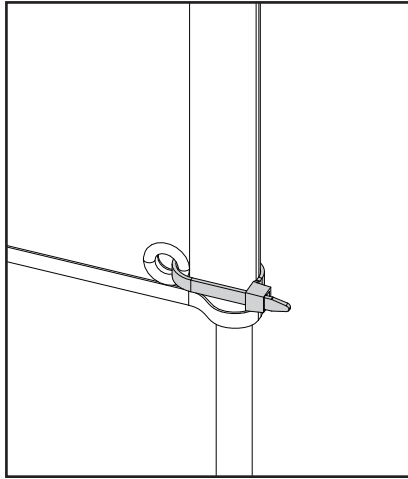
This page left blank intentionally.

DECORATE-A-FLAG

Items for STEP 1:

- (1) Flag
- (1) Flag Pole
- (1) Zip Tie

Insert flag onto the flag pole with sewn edge on top as shown. Secure firmly with the zip tie. Trim the end of the zip tie with scissors flush with the head.



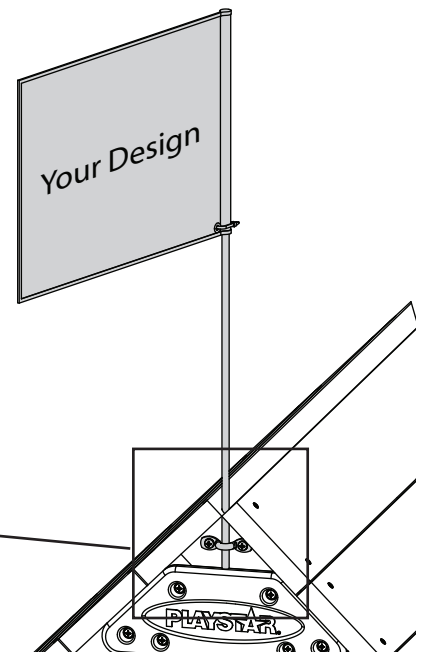
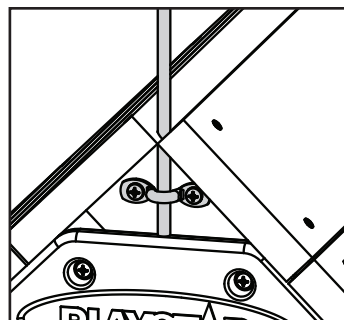
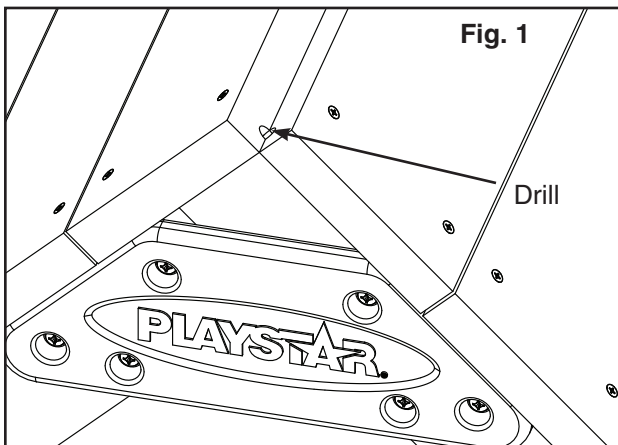
Helpful Hint: *Decorate or customize your flag with fabric markers or paint before placing on flag pole.*

Items for STEP 2:

- (1) Flag Assembly
- (1) U-Strap
- (2) #14 x 1 1/4" pan head screws

At the location shown, drill a 3/8" hole at the top of the roof tangent to the roof frame as shown. **Fig. 1**

Slide the flag pole through the hole letting it rest on the roof cap. Secure with U-Strap as shown. Using the U-Strap as a pattern, drill 1/8" holes 1" deep into the board. Secure with #14 x 1 1/4" pan head screws.

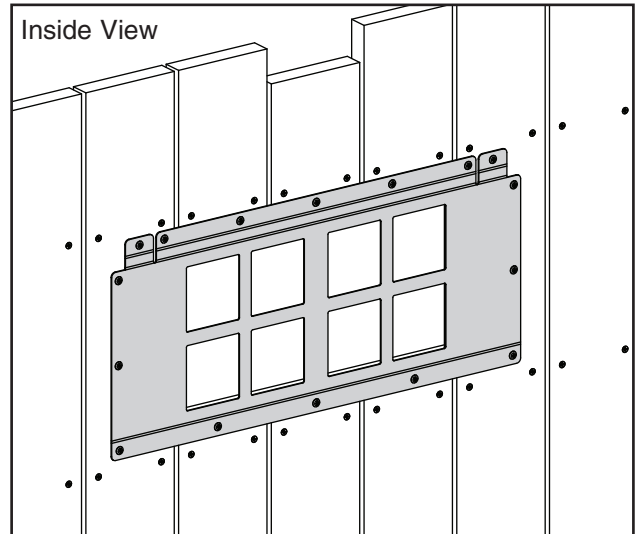
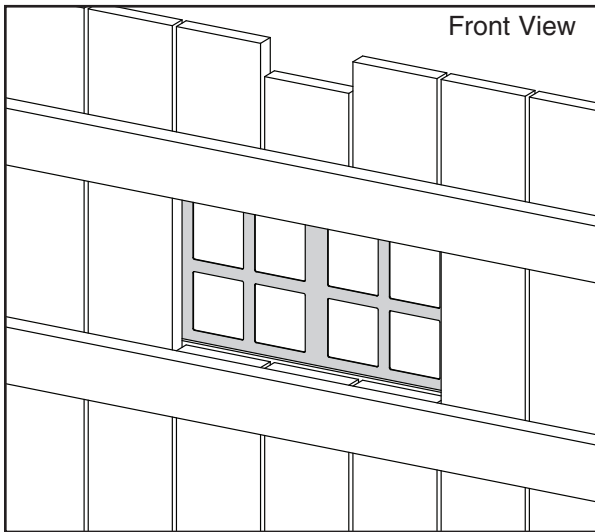


SUNLIGHT WINDOW ASSEMBLY

Items for STEP 1:

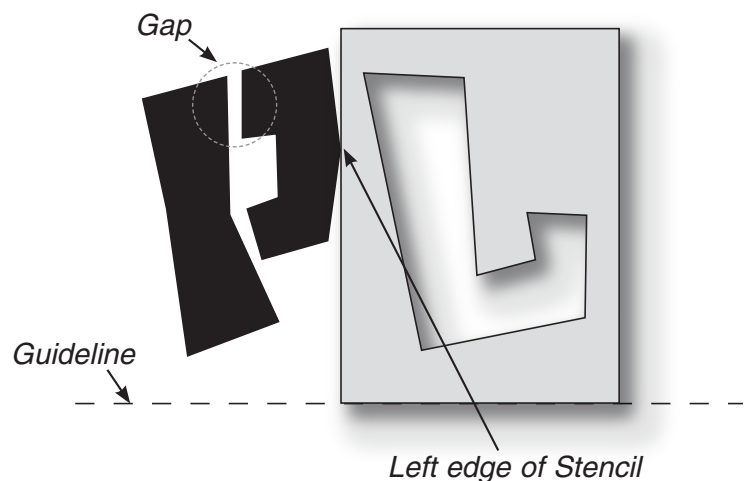
- (1) Sunlight Window
- (16) #8 x 5/8" truss head screws

From the inside of the tower, center Sunlight Window flat in opening as shown.
Secure with #8 x 5/8" truss head screws.



STENCIL SET INSTRUCTIONS

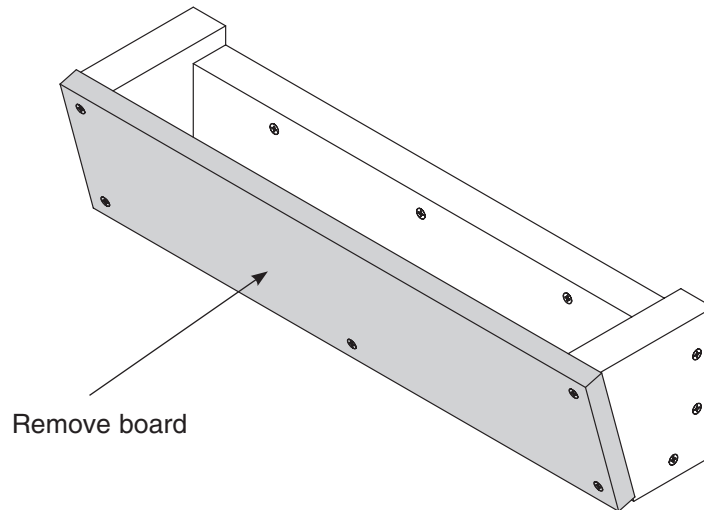
1. Separate stencil strips into individual letters (fold at perforation to make separating letters easier). Keep letters organized in alphabetical order and remove the center of each letter.
2. A permanent marker (purchased separately) will work well for this project.
3. Test stencil your name or message on a piece of paper. Draw a bottom guideline on the paper. Stencil one letter at a time, starting with the first letter of the word. Space each of the following letters by placing the left edge of the stencil so it touches or slightly overlaps the previous letter.
4. Use your stencil test sheet to aid in the aligning your name or message on the supplied activities in your playset.
5. When you stencil on a supplied activity, align each stencil with the bottom edge. Lightly tape to hold stencil in place. Stencil each letter following the same procedure as you did on the test sheet. After stenciling all the letters, leave gaps in the letters open or fill in with the marker for your desired look.



FLOWER BOX

Items for STEP 1:

Remove the 1" x 6" x 21½" board from the front of Flower Box as shown. Save the #8 x 1½" deck screws.

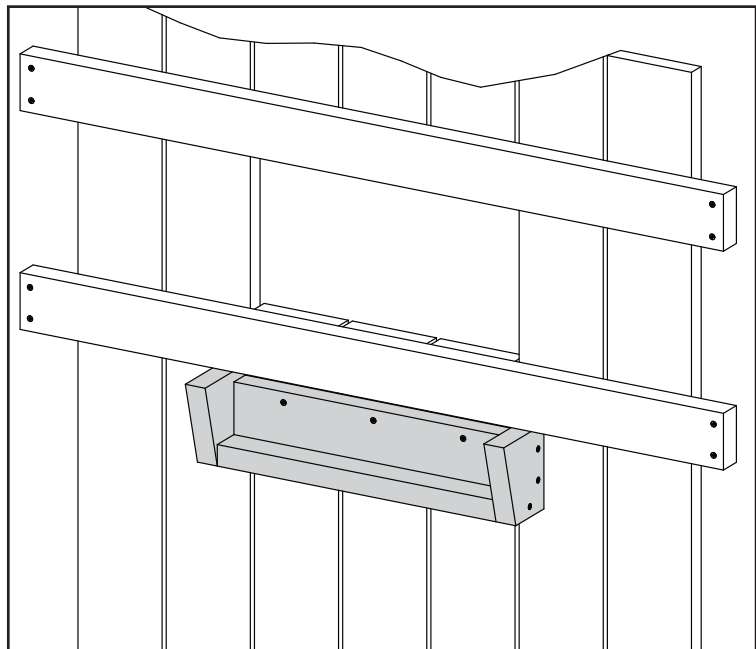


Items for STEP 2:

(3) #8 x 2½" deck screws

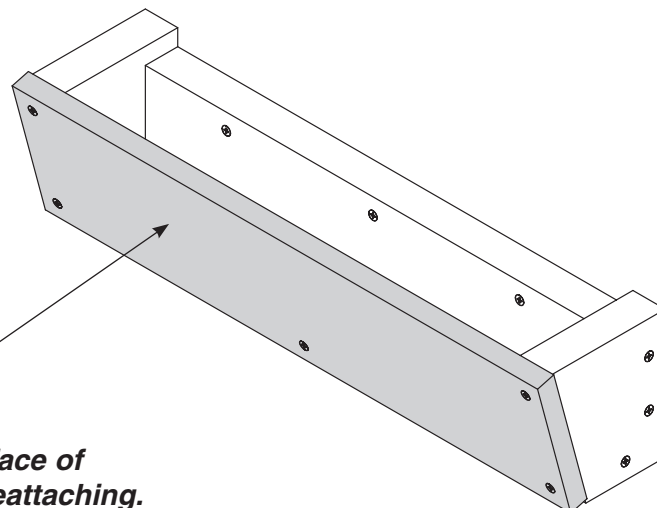
Set Flower Box at desired location. Using the pre-drilled holes as a guide, predrill ⅛" holes. Secure using #8 x 2½" deck screws.

Note: You will want to locate Flower Box where there are thicker boards and the 2" deck screw does not protrude through the backside.



Items for STEP 3:

Reattach the front board.



Helpful Hint: Stencil or customize the face of your Flower Box before reattaching.

DESIGN-A-PLAQUE

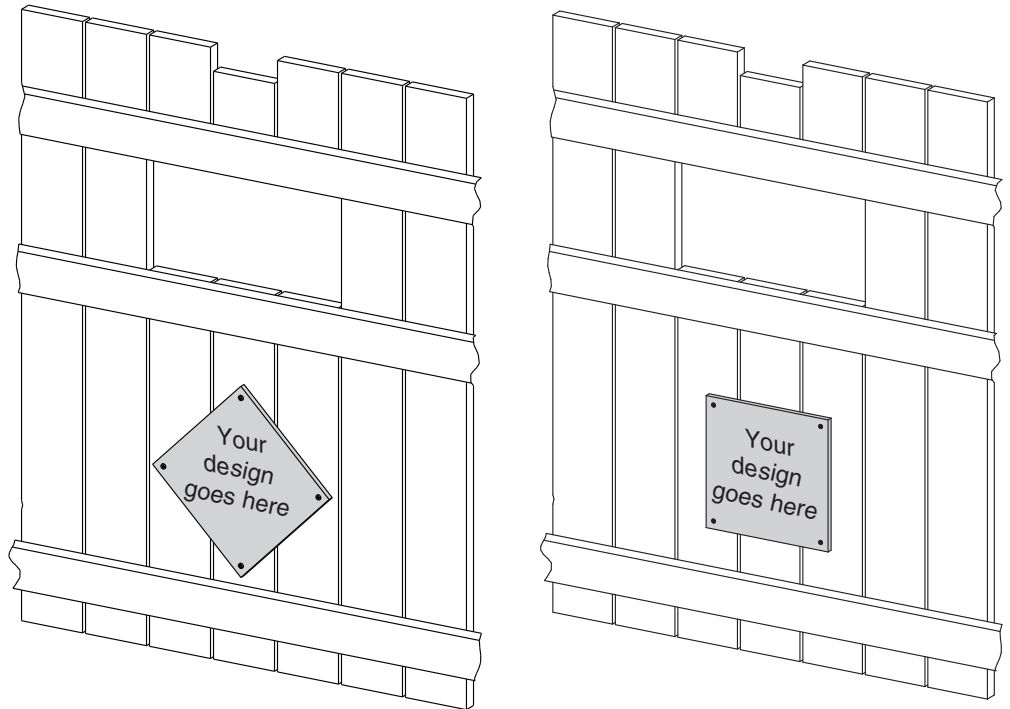
Items for STEP 1:

- (1) Design-a-Plaque
- (4) #8 x 1" truss head screws

Plaque can be installed horizontal or diagonal. Position plaque at desired location. Secure with #8 x 1" truss head screws.

Helpful Hint:

Decorate or customize your plaque before placing on your playset.



MAGNETIC CHALKBOARD

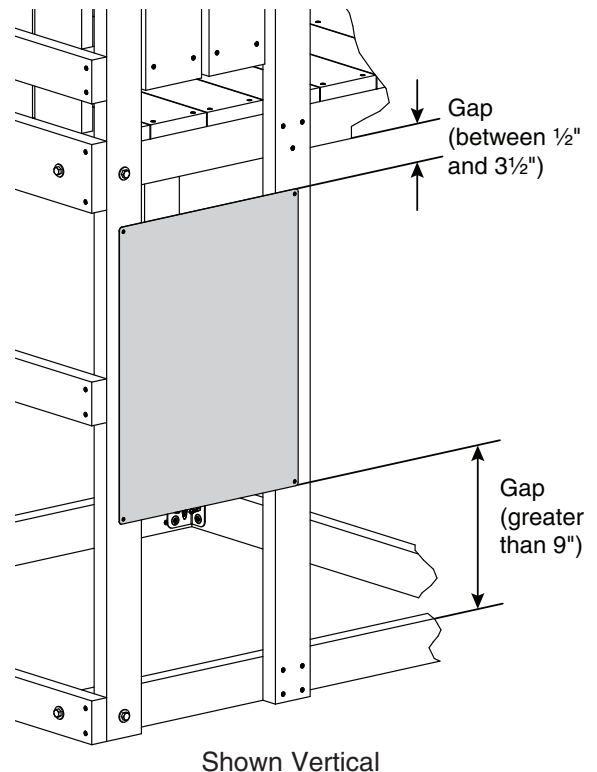
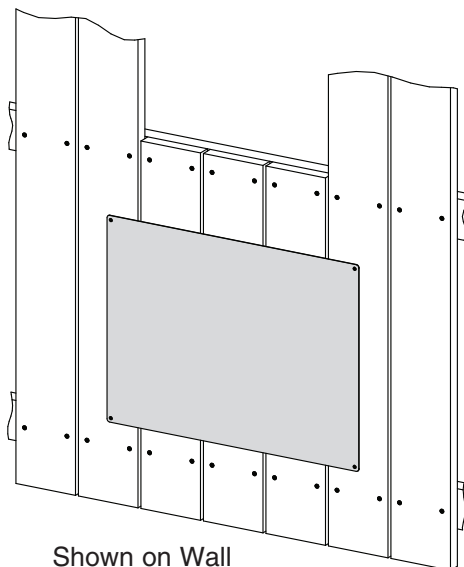
Items for STEP 1:

- (1) Magnetic Chalkboard
- (4) #8 x 5/8" truss head screws

Chalkboard can be installed horizontal or vertical. Position chalkboard at desired location. Secure with #8 x 5/8" truss head screws.

Caution: To eliminate finger or head entrapments, all gaps around chalkboard - or to the nearest object - must meet the following guidelines:

- *smaller than 1/4"*
- *between 1/2" and 3 1/2"*
- *or greater than 9"*

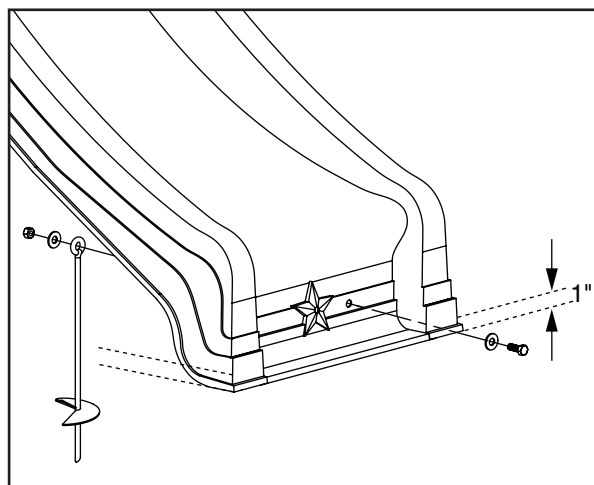
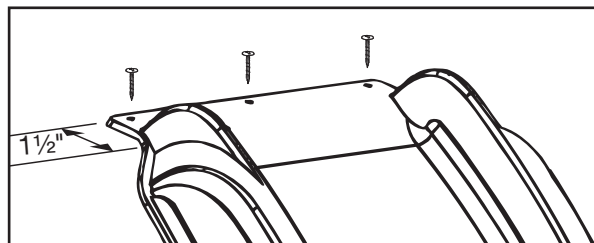


Shown Vertical

SLIDE - Mounting Instructions

SCOOP SLIDE - PS 8813

1. Align Slide at right angle (90°) to 60" play deck. Lip of Slide should rest on the play deck 1½". Using the Slide as a template, mark play deck through the three holes in the Slide. Drill three ⅛" holes at marked location.
2. Attach Slide temporarily to play deck with three #14 x 1¼" screws provided.
3. Prepare level area where Slide touches ground that is 1" below surrounding grade.
4. Locate and mark the ground on the back side, on either side of the star. Remove Slide and screw Playset Anchor into the ground (a long screwdriver will help). Screw the anchor deep enough so that the loop at the top of the anchor will be flat against the back surface of Slide when the Slide is in the final position.
5. Reinstall Slide permanently, attaching it to play deck using #14 x 1¼" pan head screws provided.
6. Use the Playset Anchor as a drill guide and drill a ⅜" hole completely through the Slide. Attach Slide to anchor with one ⅜" x 1¼" hex bolt, two ⅜" washers and one ⅜" lock nut provided in the anchor kit.
7. Fill in around bottom of Slide to make surface level to surrounding grade.

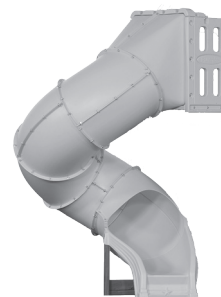


Caution: Failure to anchor the Slide properly could cause serious injury from children lifting the slide.

Caution: Do not install this Slide over concrete, asphalt, packed earth, or any other hard surface. A fall onto a hard surface can result in serious injury to the equipment user.

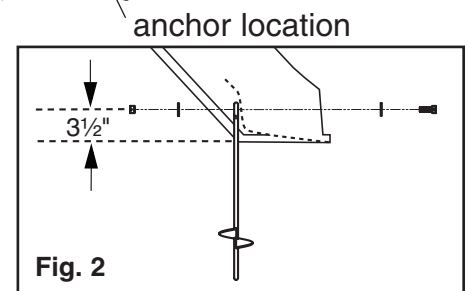
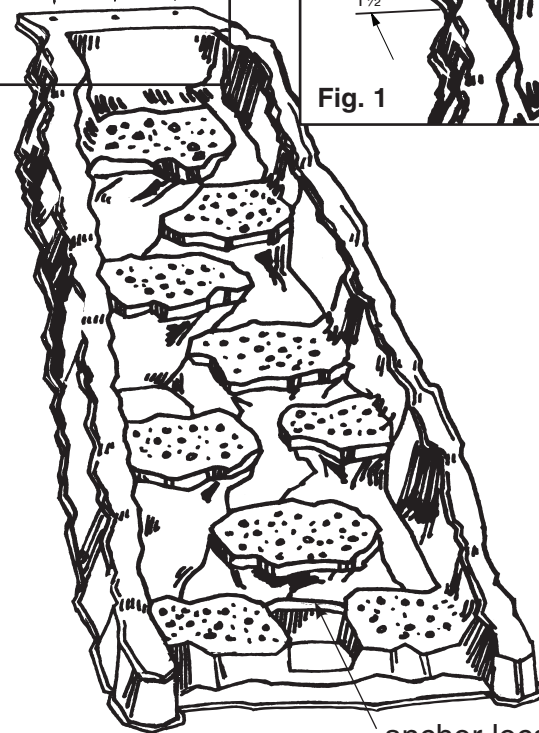
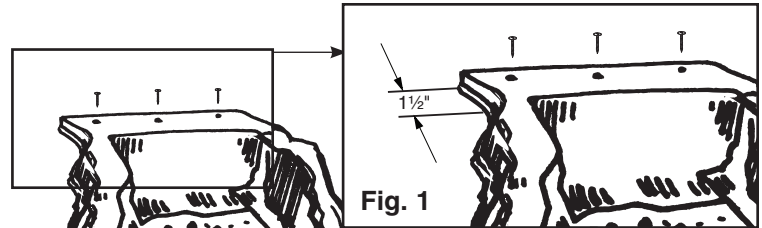
SPIRAL TUBE SLIDE - PS 8821

Use the installation instructions and mounting hardware supplied with this component.



CLIMBING WALL – Assembly Instructions

1. Align top of Climbing Wall at right angle (90°). Lip of climbing wall should rest on the 2" x 4" mounted 12" below the play deck 1½". Using the Climbing Wall as a template, mark play deck through the three holes in the climbing wall. Drill three ⅛" holes at marked locations. (Fig. 1)
2. Attach Climbing Wall temporarily to play deck with three #14 x 1¼" pan head screws provided.
3. Prepare level area where Climbing Wall touches ground.
4. Locate and mark the ground on the back side and ¼" in center of Climbing Wall. Remove Climbing Wall and screw Playset Anchor into the ground (a long screwdriver will help). Screw the anchor deep enough so that the center of the loop at the top of the anchor will be approximately 3½" off ground when wall is in the final position.
5. Reinstall Climbing Wall permanently, attaching it to play deck using #14 x 1¼" pan head screws provided.
6. Use the anchor as a drill guide and drill a ⅜" hole completely through the Climbing Wall. Attach Climbing Wall to anchor with one ⅜" x 1¼" hex bolt, two ⅜" washers and one ⅜" lock nut provided in the anchor kit. (Fig. 2)

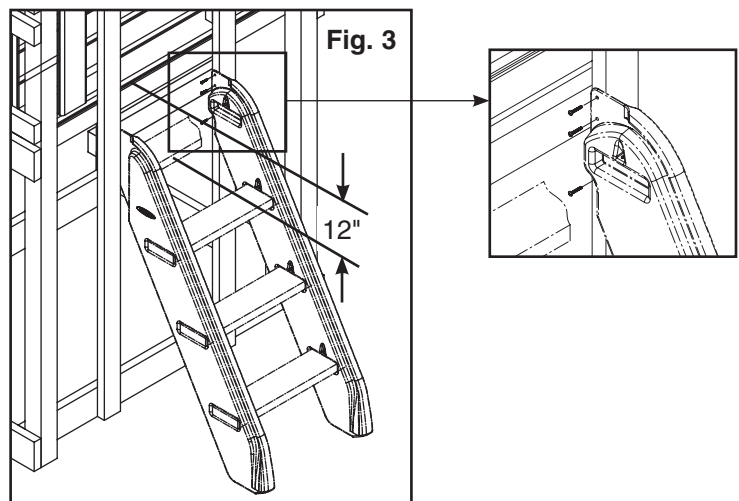


Warning: Failure to anchor the Climbing Wall properly could cause serious injury from children lifting the Unit.

CLIMBING STEPS – Assembly Instructions

Position the Climbing Steps Assembly into the 21½" opening of your play deck so that the top surface of the top step is 12" from the top surface of your play deck (48" from the ground). Secure the Climbing Step Assembly to the play deck using three #14 x 1¼" pan head screws on each side as shown. (Fig. 3)

NOTE: The steps must be positioned as specified. The gaps must not exceed 3½" otherwise a head entrapment could exist.

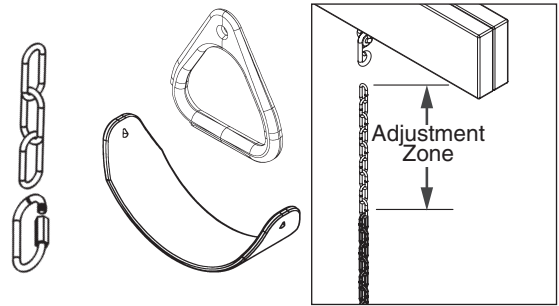


COMPONENTS – Mounting Instructions

SWING SEAT • GYM RINGS

1. Attach coated ends of chains onto play component using Quick-Link Connectors provided. Tighten securely with an adjustable wrench.
2. Hook uncoated ends of chain onto Swing Hangers provided.
3. Customize the height of your **swing** or **gym rings** anywhere in the *Adjustment Zone*, to fit your child.

Warning: *Failure to tighten Quick Links securely could result in injury.*



Swing Chain Spacing:

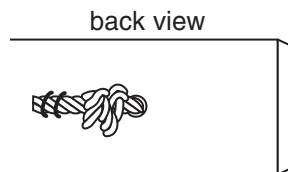
10" minimum spacing is required from the closest point of all other rides or stationary objects.

Gym Ring Chain Spacing:

11½" minimum spacing is required from the closest point of all other rides or stationary objects.

CLIMBING ROPE

1. Tie five knots, equally spaced, for climbing grips. **(Fig. 1)**
2. Insert rope through top hole and tie a knot with 4" remaining.
3. Insert opposite end through bottom hole, pull tight and tie a knot while keeping rope snug.
4. Secure both ends with staples provided (2 each end). **(Fig. 2)**



front view

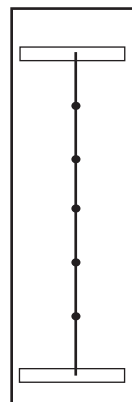
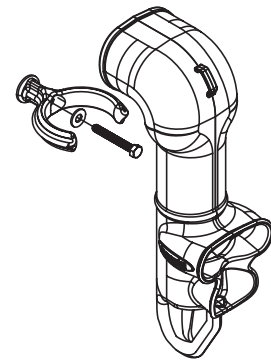


Fig. 1

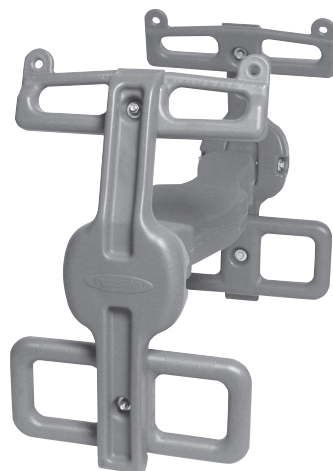
SPEAK & SPY MEGASCOPE



1. Determine desired location for pivot.
2. Drill ¼" diameter pilot hole 1" deep.
3. Fasten ⅜" x 3" lag screw and ⅜" washer through center of pivot into pilot hole using socket wrench and ⅝" socket.
4. Tighten screw enough to make pivot snug to wood, but still allowing it to turn.
5. Snap Speak & Spy MegaScope onto pivot.

AIR RIDER PS 7958

Use the installation instructions and mounting hardware supplied with this component.





*Thank you for choosing PlayStar.
Because it is our intention to make this a positive family experience,
we have taken great care in preparing this product.*

Do not return to the store.

Should you have any questions, or if we can assist you in any way, please call our friendly Customer Service Department for immediate action.

*Gracias por escoger PlayStar.
Es nuestra intención hacer de esto una experiencia familiar positiva,
por eso hemos puesto mucho cuidado al preparar este producto.*

No lo devuelva a la tienda.

En caso de que usted tenga cualquier duda, o si podemos ayudarle de cualquier manera, por favor llame a nuestro Departamento de Servicio a Clientes para asistirlo inmediata y amigablemente.

*Merci d'avoir choisi PlayStar.
Notre intention étant de faire en sorte qu'il s'agisse pour vous d'une expérience
familiale positive, nous avons préparé ce produit avec le plus grand soin.*

Ne pas retourner le produit au magasin.

Si vous avez des questions, ou si nous pouvons vous être utiles de quelque façon que ce soit, appelez notre amical service après-vente pour une assistance immédiate.

PlayStar, Incorporated, Janesville, WI 53547

© 2014, PlayStar, Inc. Reproduction of this document in part or whole is prohibited without the permission of PlayStar, Inc.

Protected by one or more of the following United States or Foreign Patents: US D418,189; US D409,708; US D424,154; US D428,637; US 6,402,663; US D422,332; US D410,059; US 6,068,557; US 6,302,801; US 6,482,095; US 6,039,654; US D410,060; US D424,649; US 6,361,445; CA 2,304,345; US 6,540,645; US 6,709,365; US 6,942,600; US D513,779; US 6,991,550; CA D109,228; CA D109,224; CA D109,225; CA 2,304,113; US 6,629,907; US D517,636; US D518,530; US D520,590; US 520,591; US D534,613; US 7,186,183; US 7,189,034; US 7,253,951; US D548,760; US 7,304,810; CA D109,227; CA D109,226; CA D112,355; CA D113,437; CA D113,442; CA D114,067; CA D114,068; CA 2,304,896; CA D119,674; US D573,222; US 7,419,437; CA 2,304,068; CA 2,488,576; US D580,507; US D585,570; CA 2,490,923; CA 2,304,341; US 7,594,875; CA 2,304,043; CA 2,529,276; CA 2,633,628; CA 2,633,056; US 7,594,875; CA 2,498,701; CA 2,495,136; CA 2,488,600